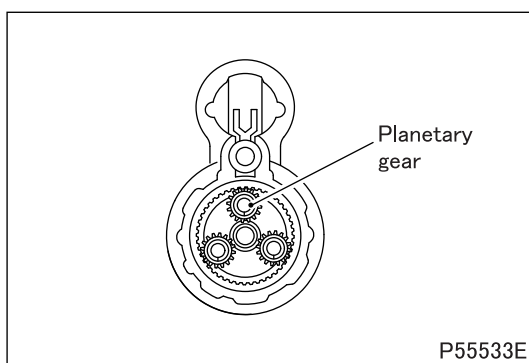
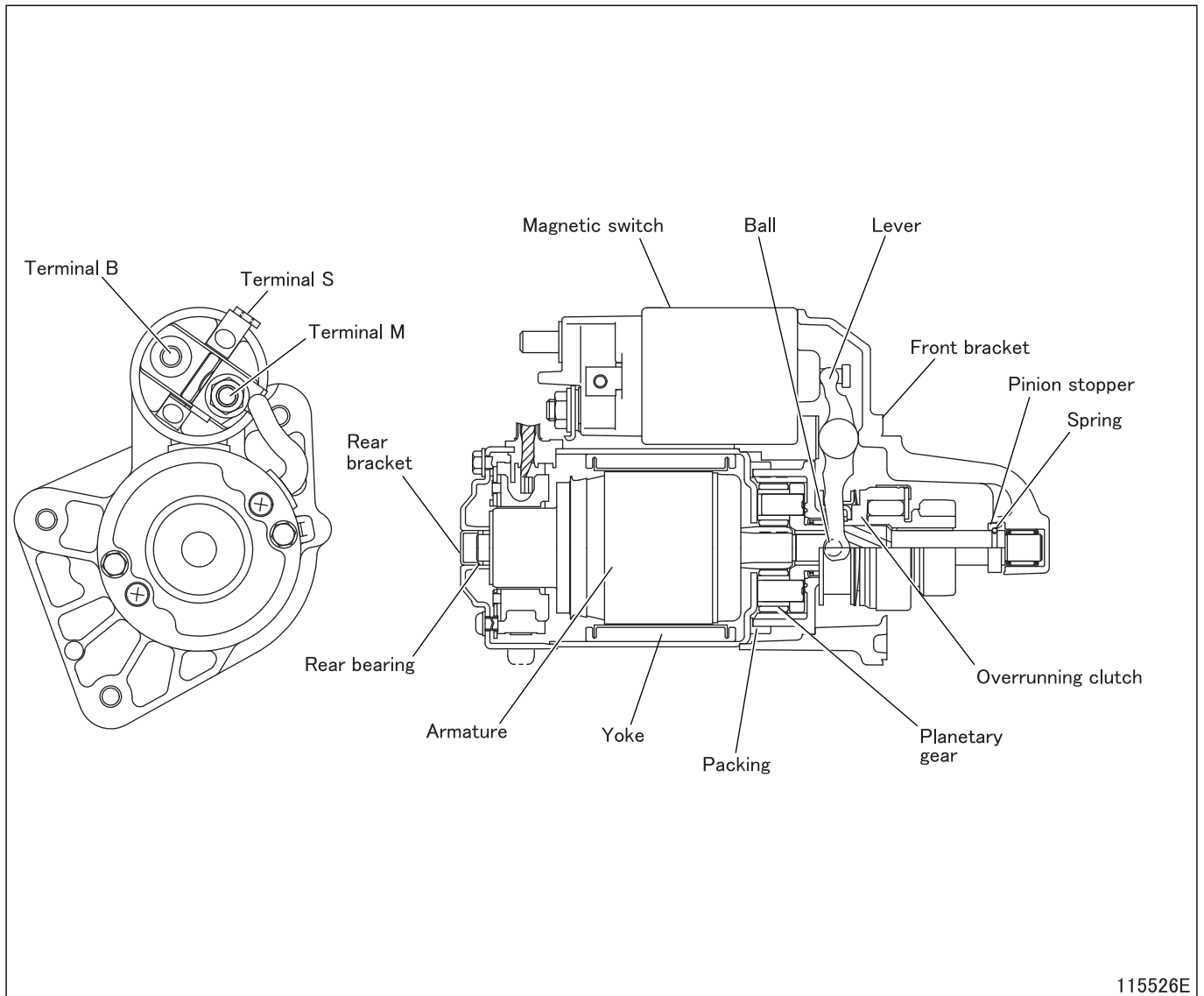

GROUP 54-00C

STRUCTURE AND OPERATION

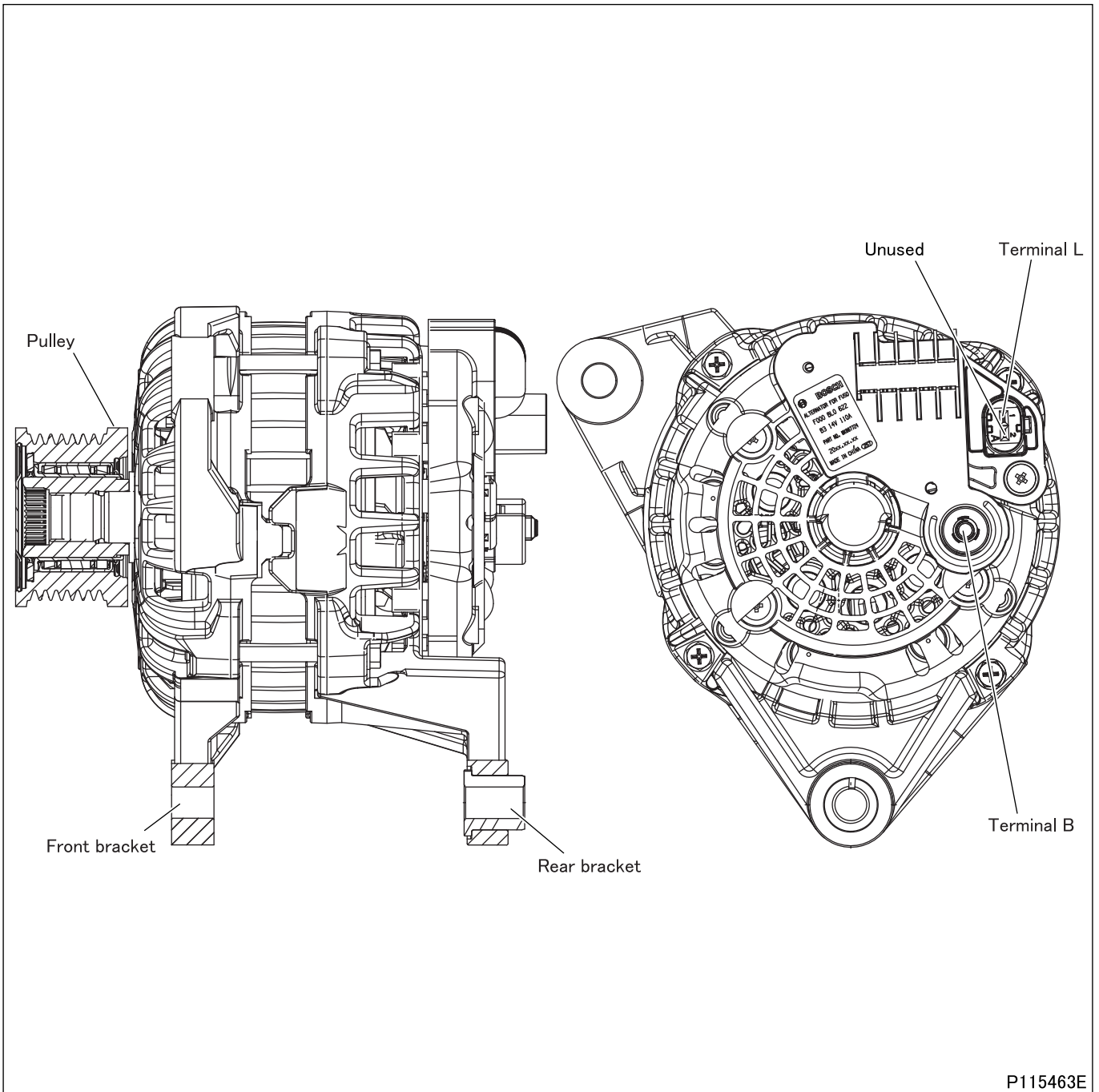
STRUCTURE AND OPERATION

1. Starter



- This starter uses planetary gears as its reduction gearing mechanism.

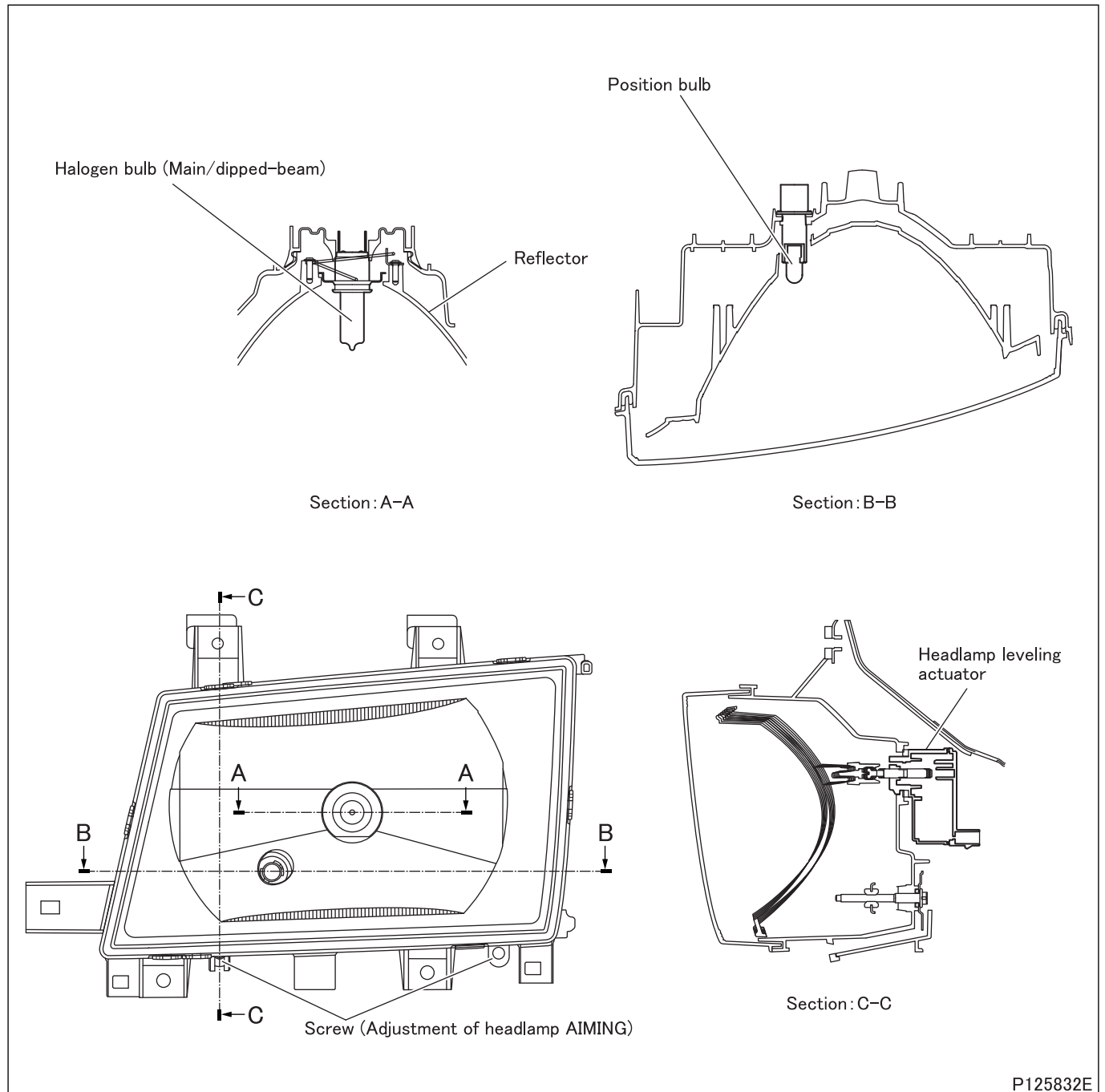
2. Alternator



P115463E

STRUCTURE AND OPERATION

3. Headlamps



(Left headlamps are shown in this illustration.)

3.1 Headlamp leveling system

- The headlamp leveling system enables the headlamp reflectors' aim to be vertically adjusted using the leveling actuators. This allows the optimum aim to be set when the vehicle is loaded or unloaded.
- In the headlamp leveling system, the headlamp leveling switch is used to adjust the headlamps' aim.
- The "0" position is for the normal condition. The headlamps' aim can be lowered in 5 steps (1 to 5) in accordance with the weight of the vehicle's load.

