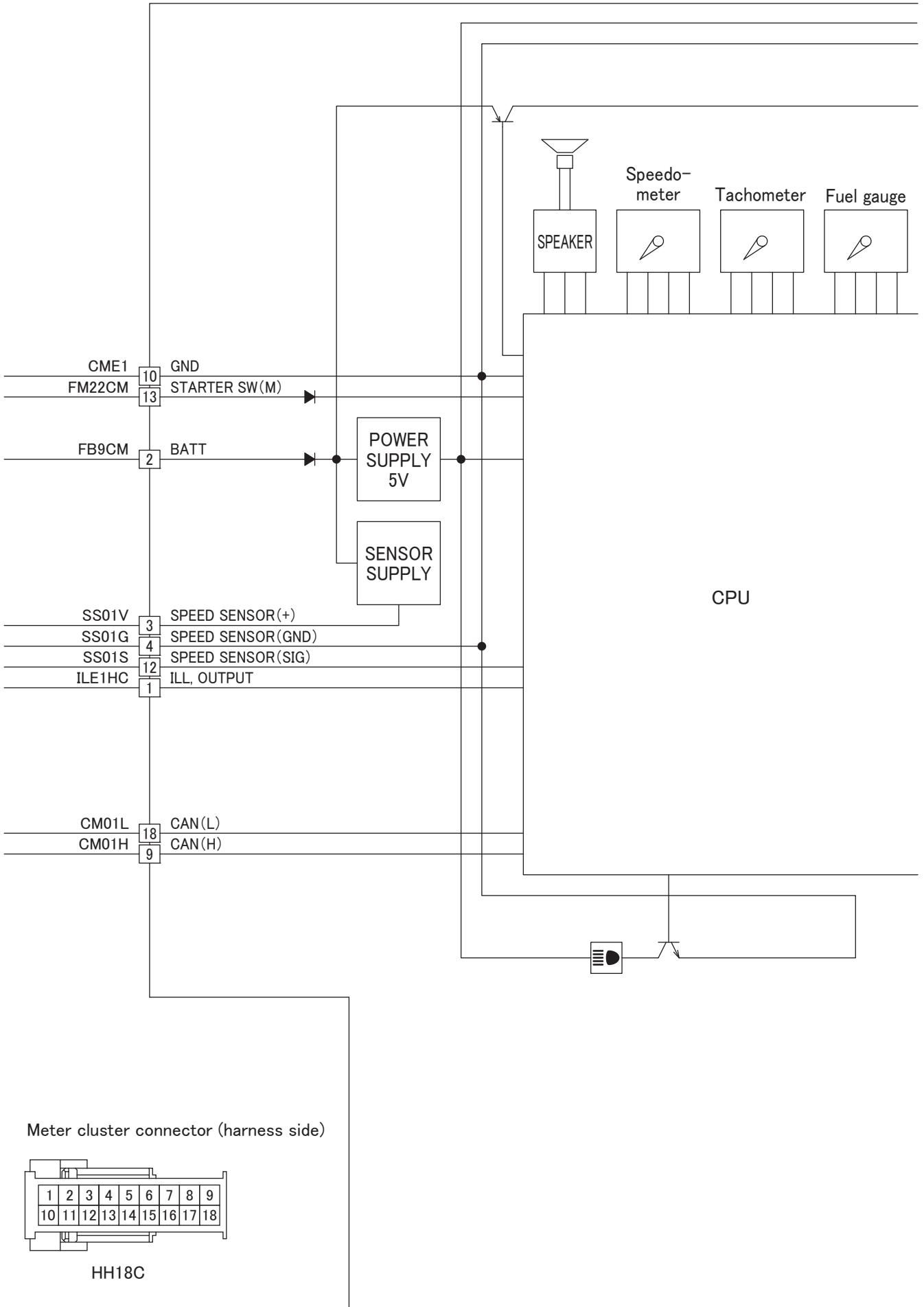

GROUP 54-04

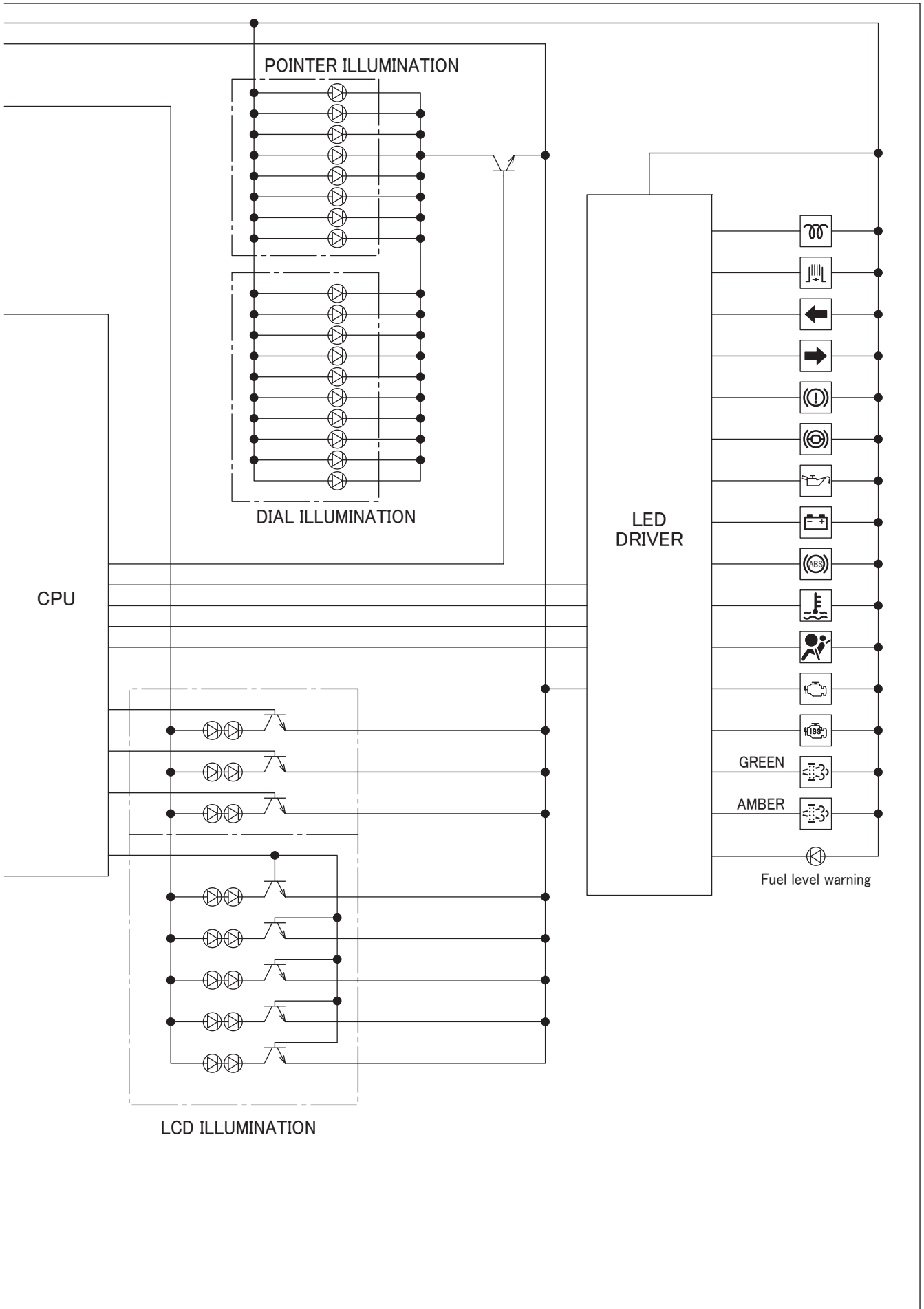
METER CIRCUIT

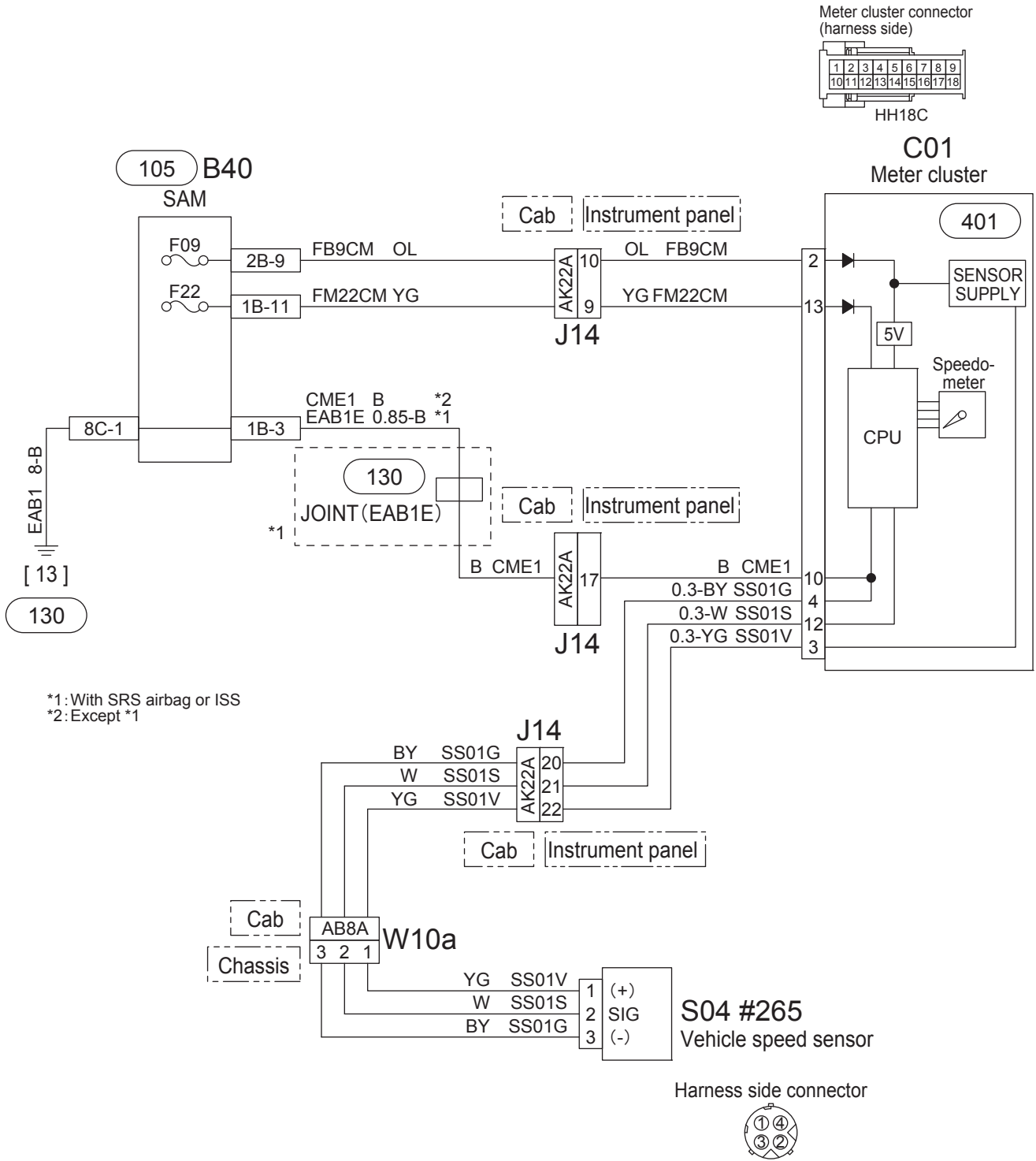
401 METER CLUSTER INTERNAL CIRCUIT

(1/2)



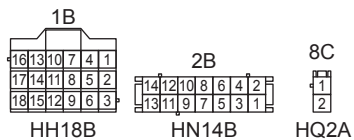
(2/2)



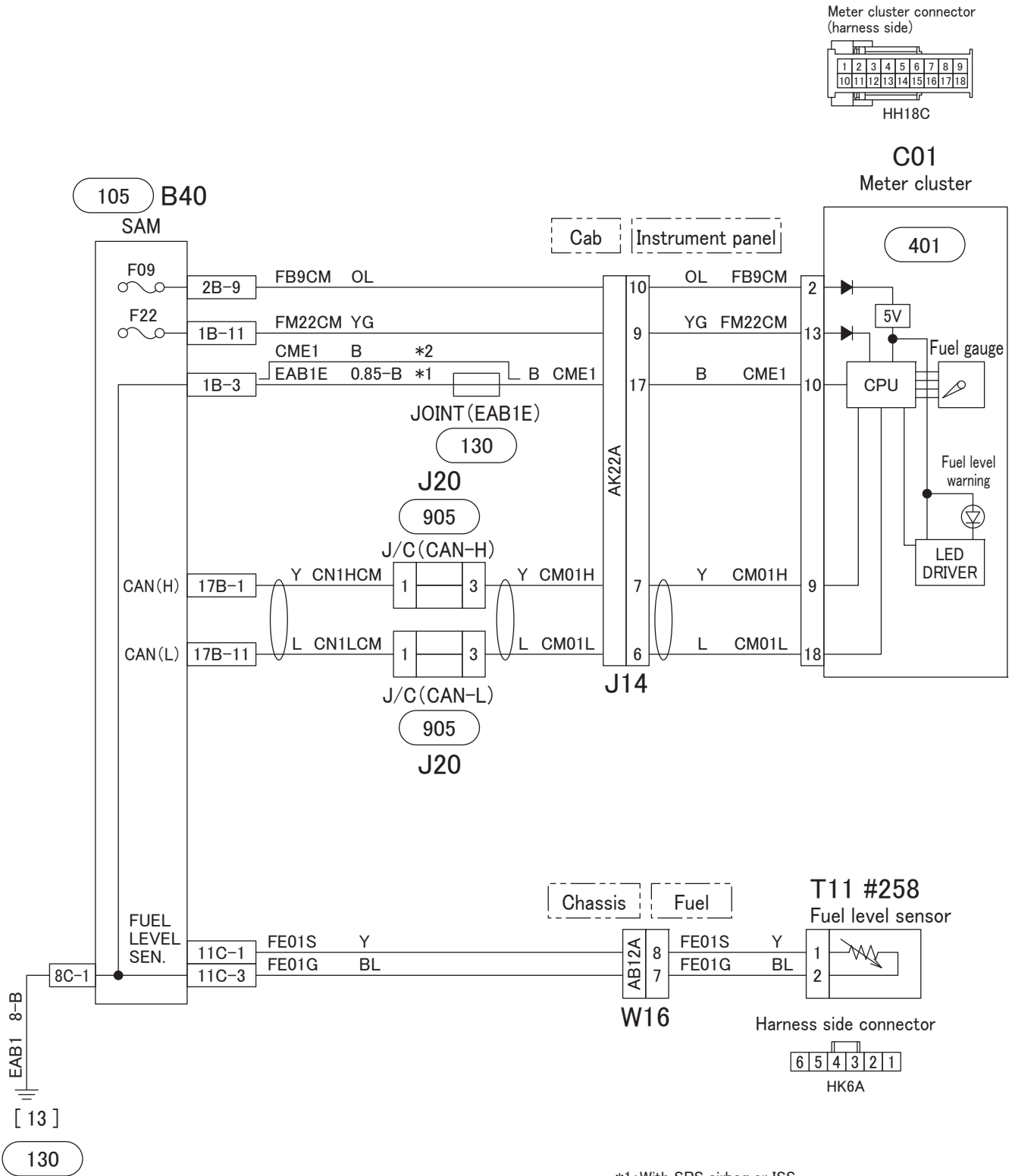


ISS: Idling stop and start system
SRS: Supplemental restraint system

SAM connector (harness side)



420 FUEL GAUGE CIRCUIT

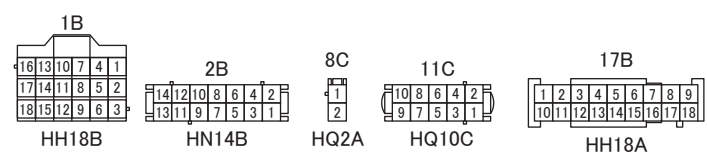


130

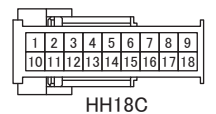
*1: With SRS airbag or ISS
 *2: Except *1

ISS: Idling stop and start system
 SRS: Supplemental restraint system

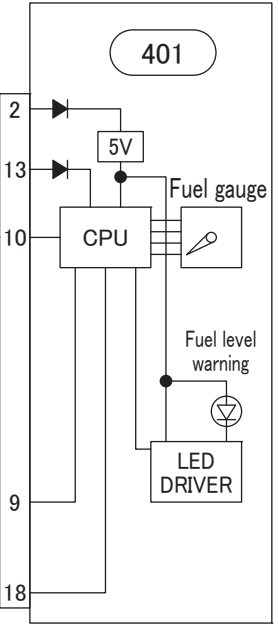
SAM connector (harness side)



Meter cluster connector (harness side)



C01 Meter cluster



Chassis Fuel

