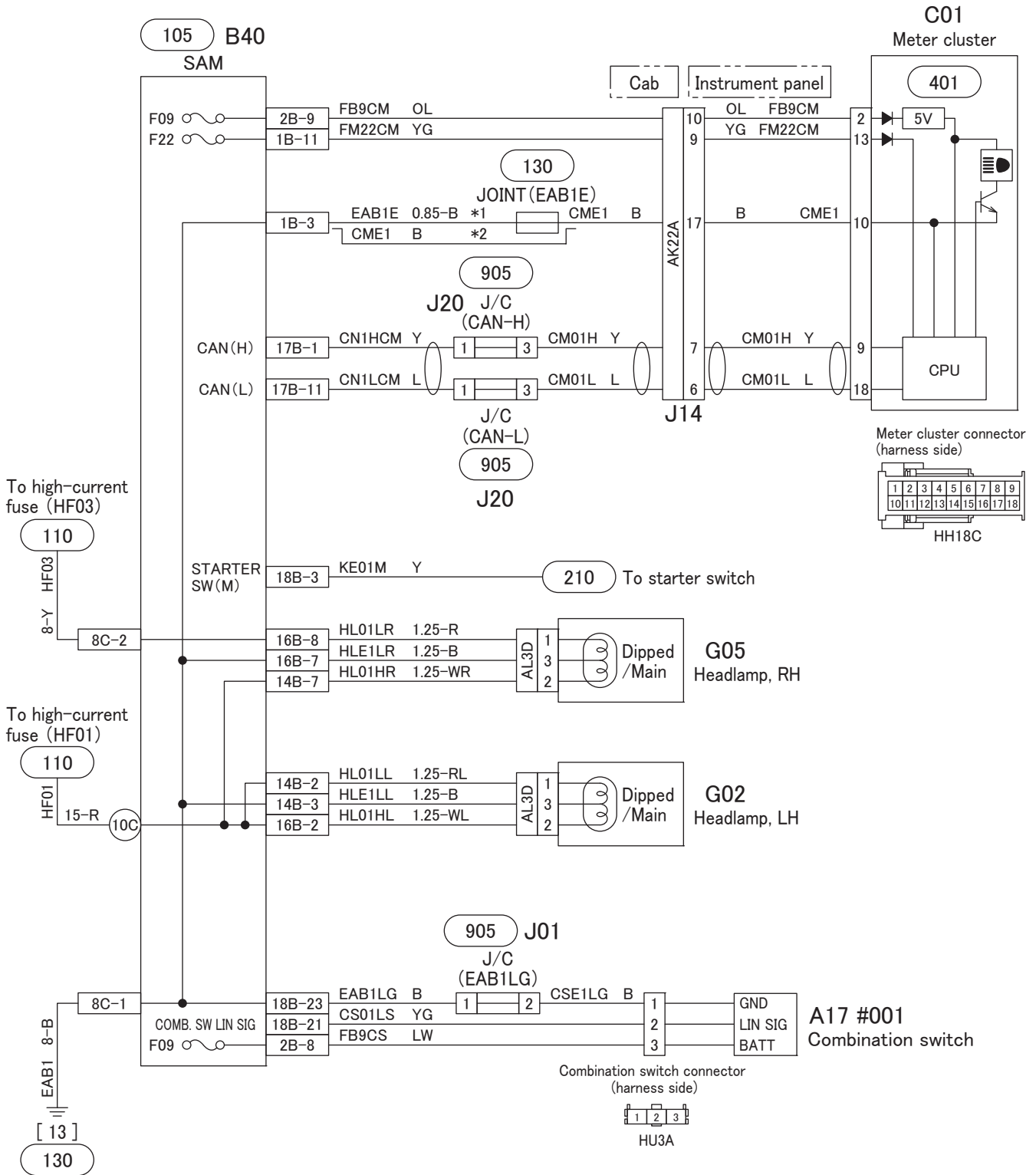


---

# **GROUP 54-03 LIGHTING CIRCUIT**

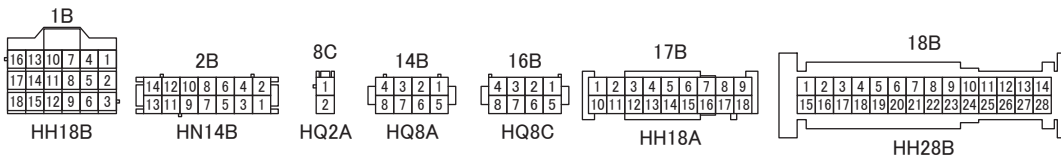
# 310 HEADLAMP CIRCUIT



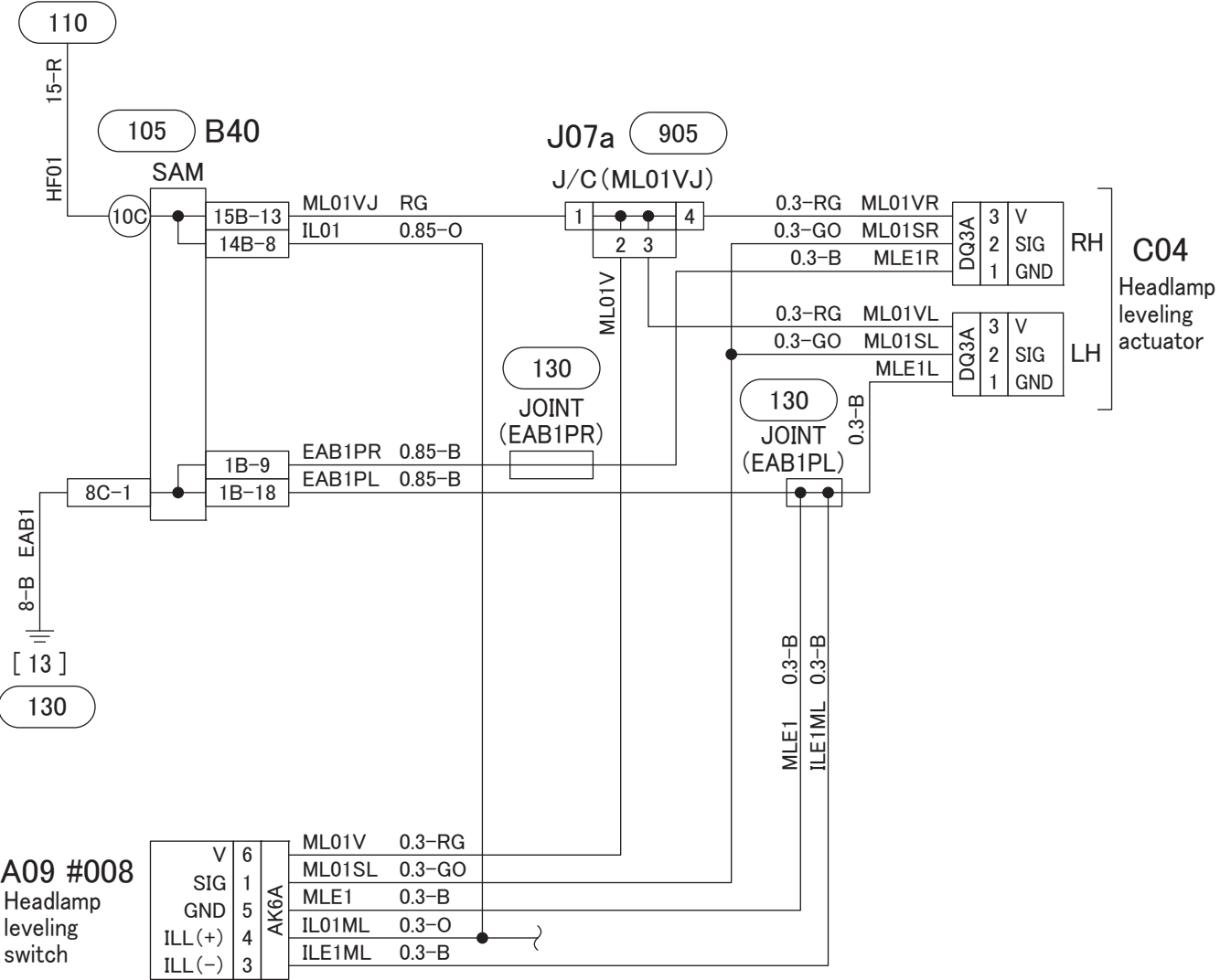
\*1: With SRS airbag or ISS  
 \*2: Except \*1

ISS: Idling stop and start system  
 SRS: Supplemental restraint system

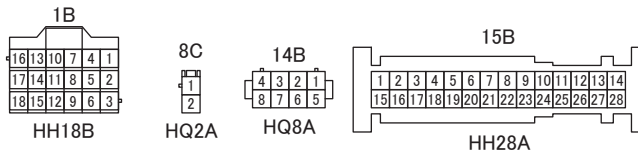
SAM connector (harness side)



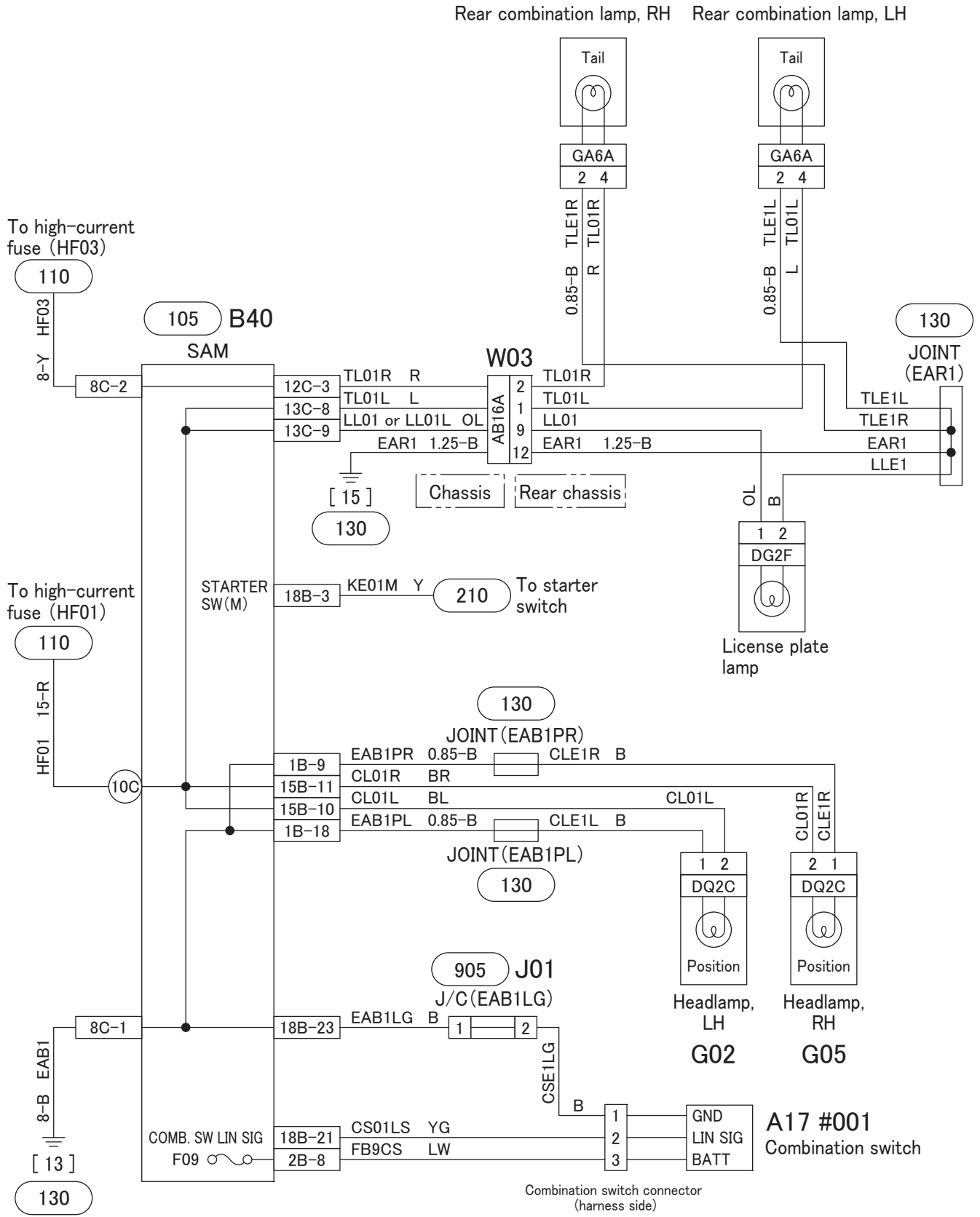
To high-current fuse (HF01)



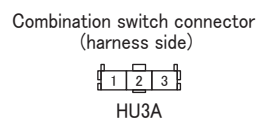
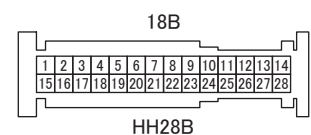
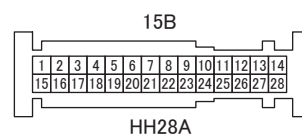
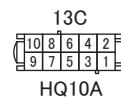
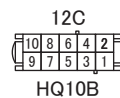
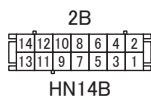
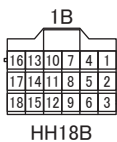
SAM connector (harness side)

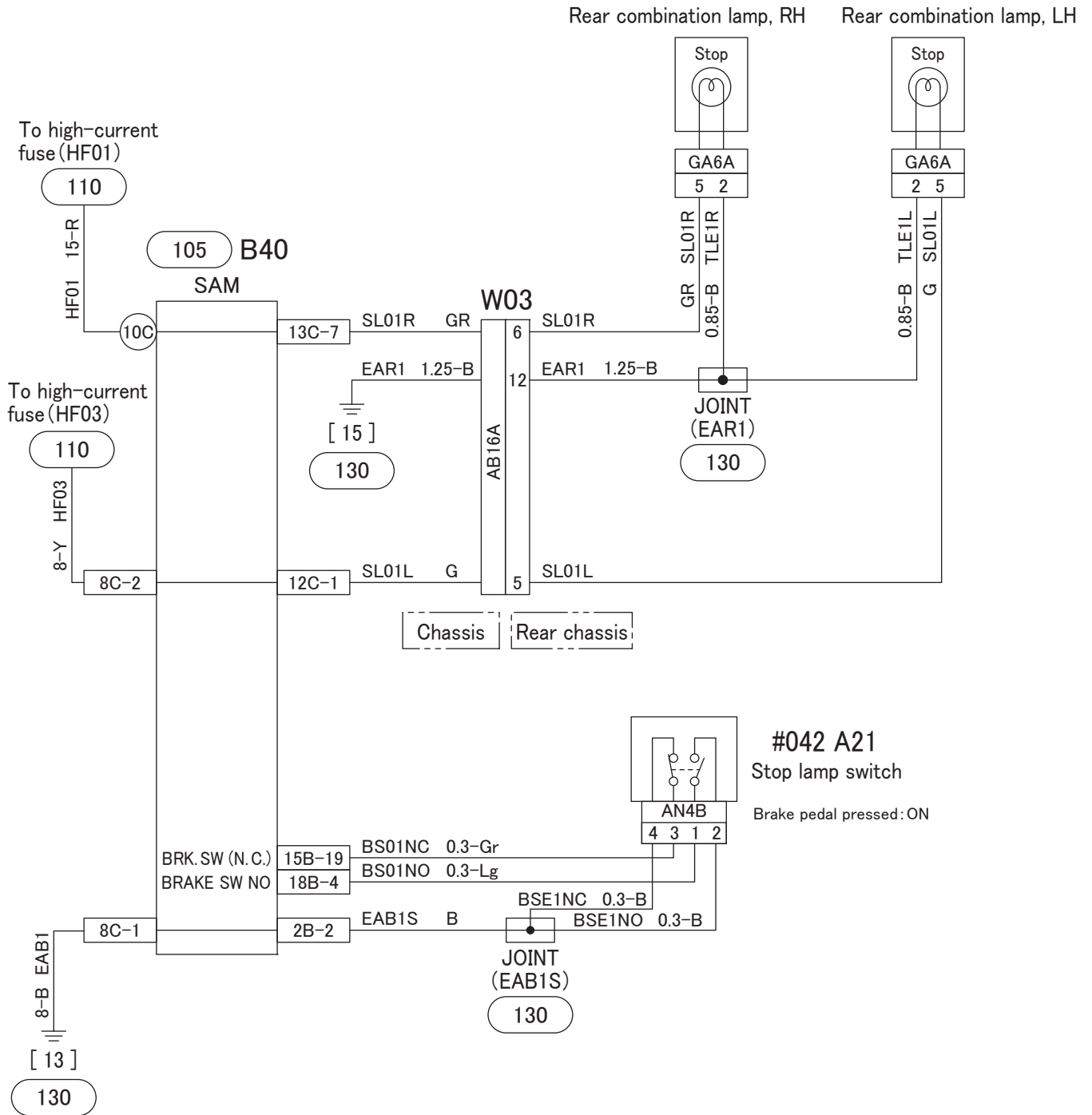


# 320 TAIL, POSITION AND LICENSE PLATE LAMPS CIRCUIT

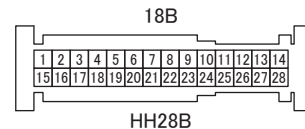
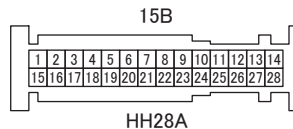
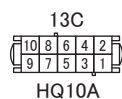
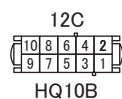
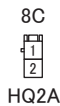
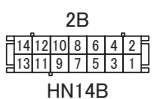


SAM connector (harness side)

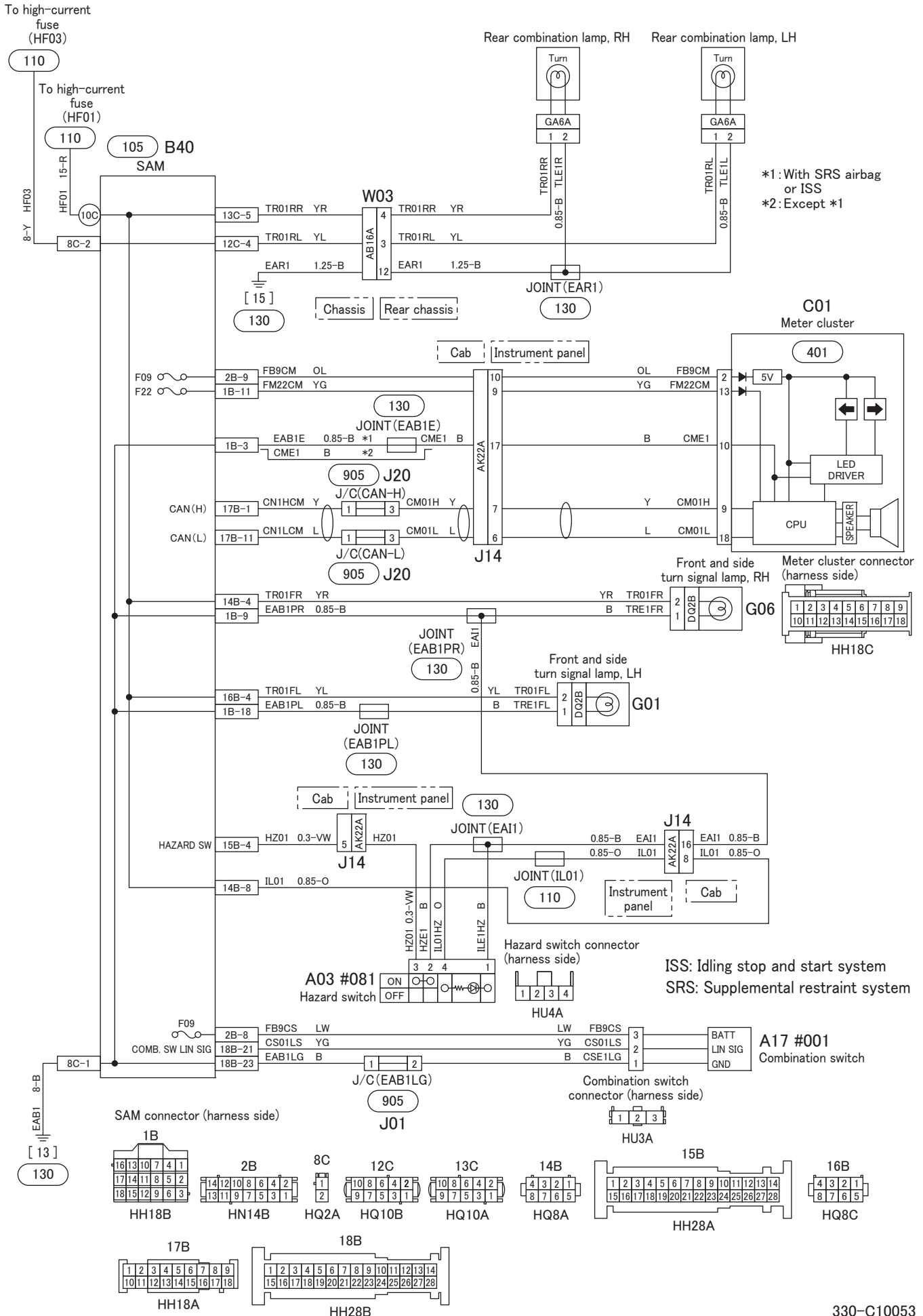


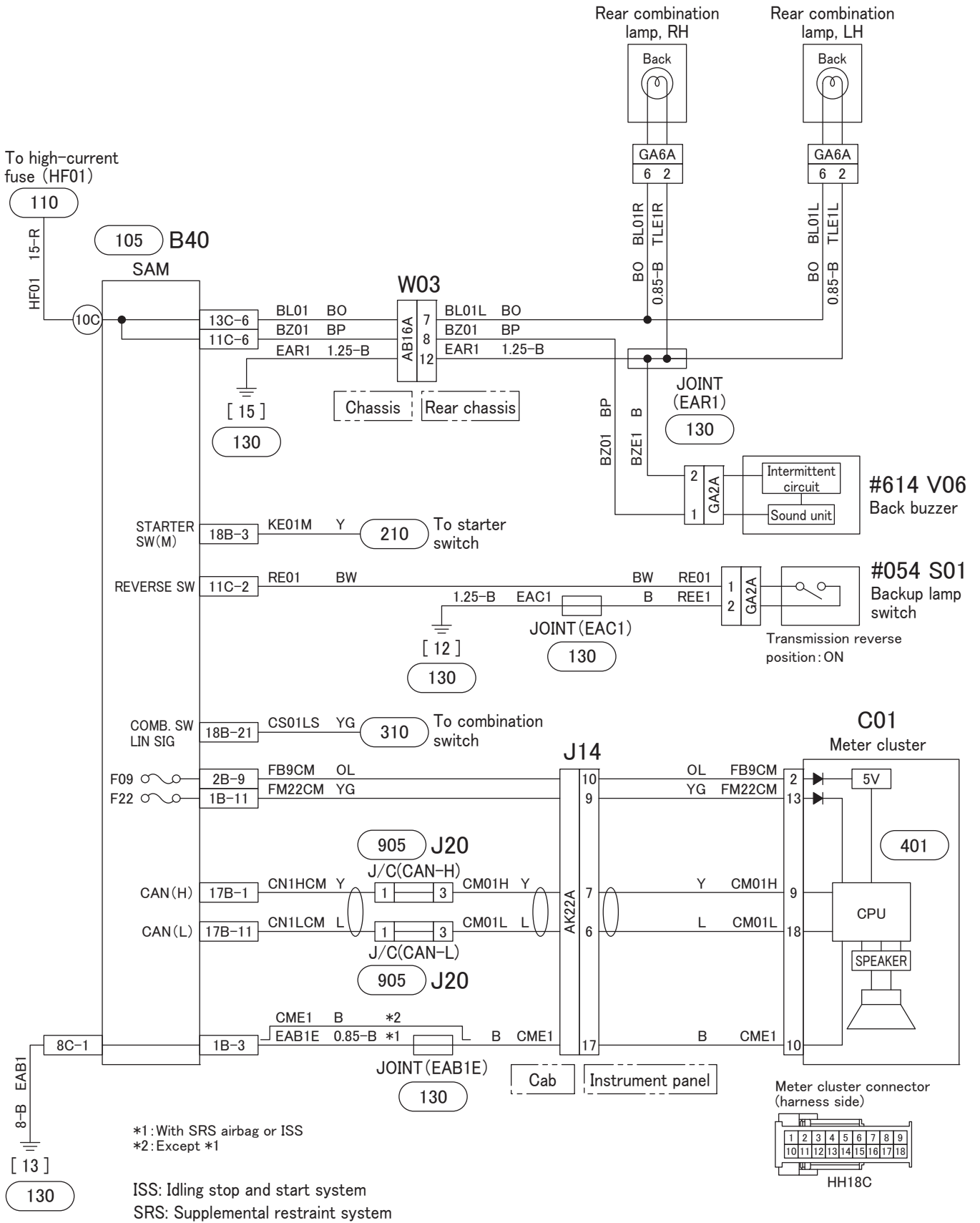


SAM connector (harness side)

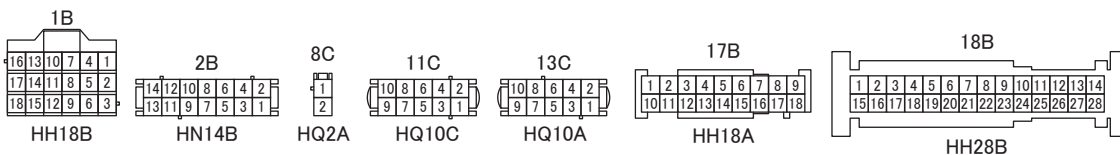


# 330 TURN SIGNAL AND HAZARD LAMP CIRCUIT

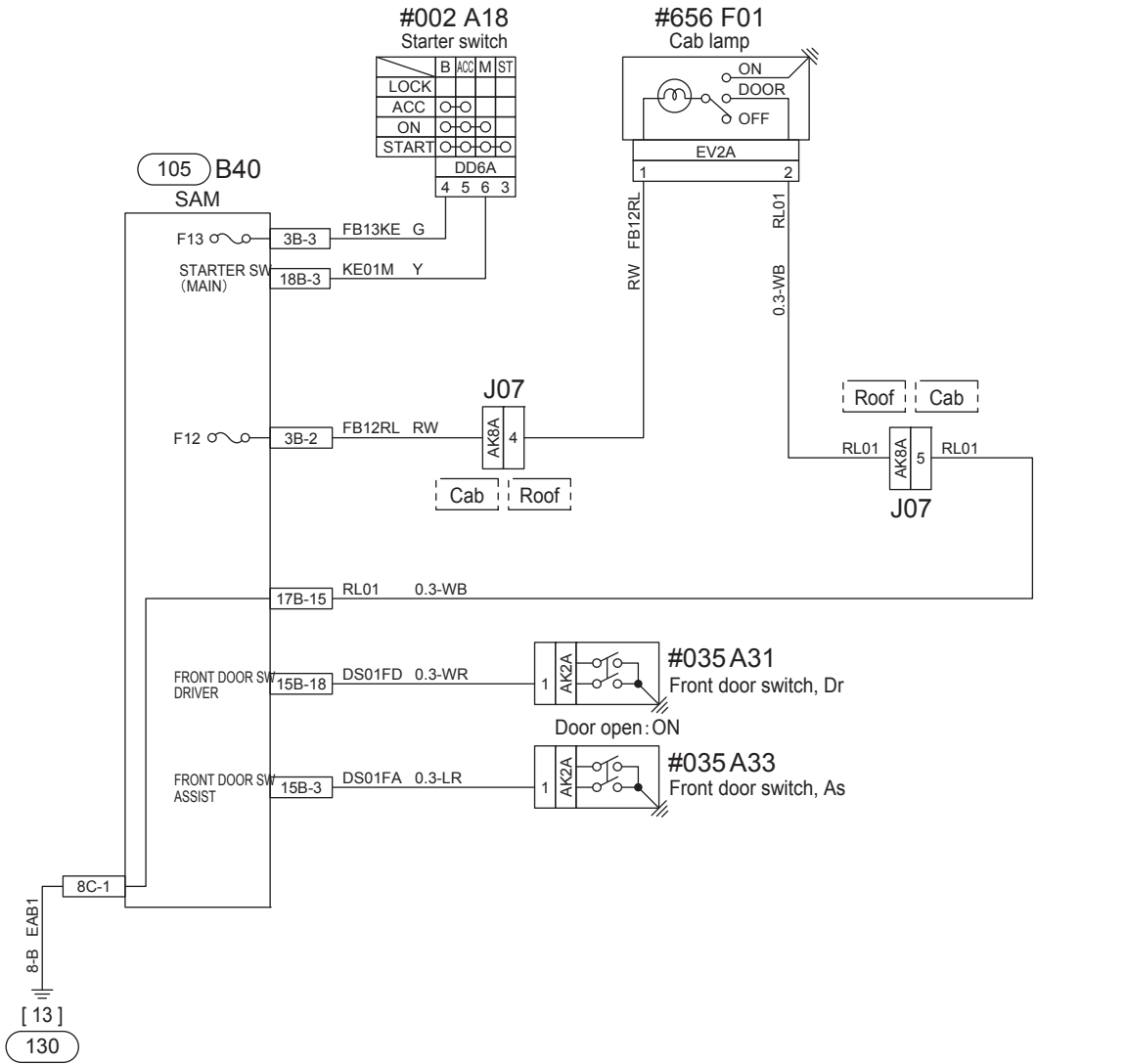




SAM connector (harness side)

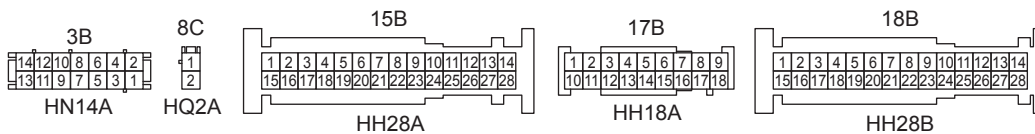


# 345 CAB LAMP CIRCUIT

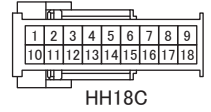


Dr : Driver's seat side  
As : Assistant driver's seat side

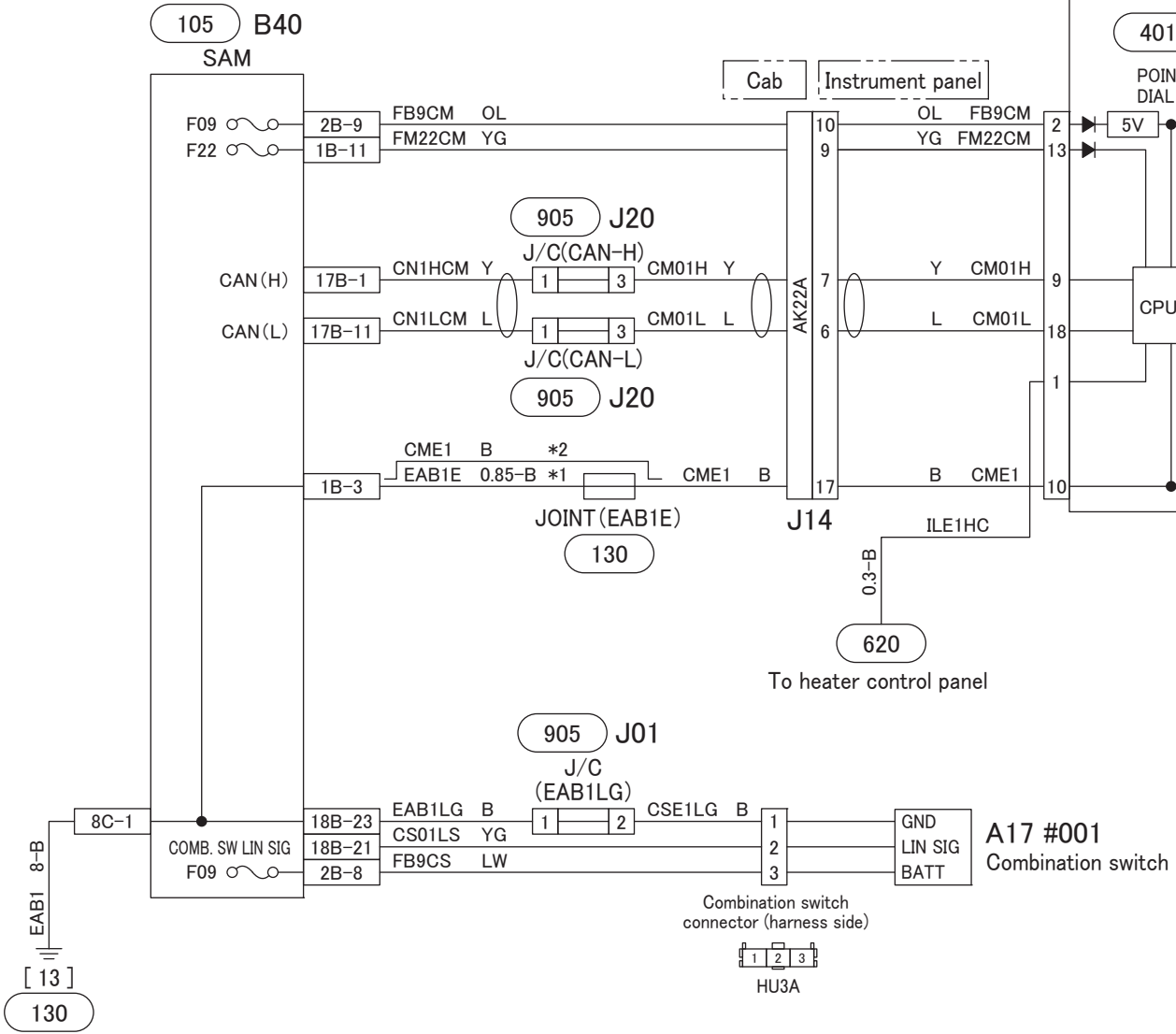
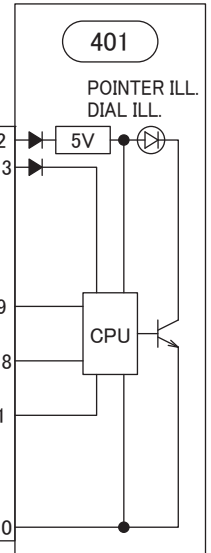
SAM connector (harness side)



Meter cluster connector (harness side)



C01 Meter cluster



\*1: With SRS airbag or ISS  
\*2: Except \*1

ISS: Idling stop and start system  
SRS: Supplemental restraint system

SAM connector (harness side)

