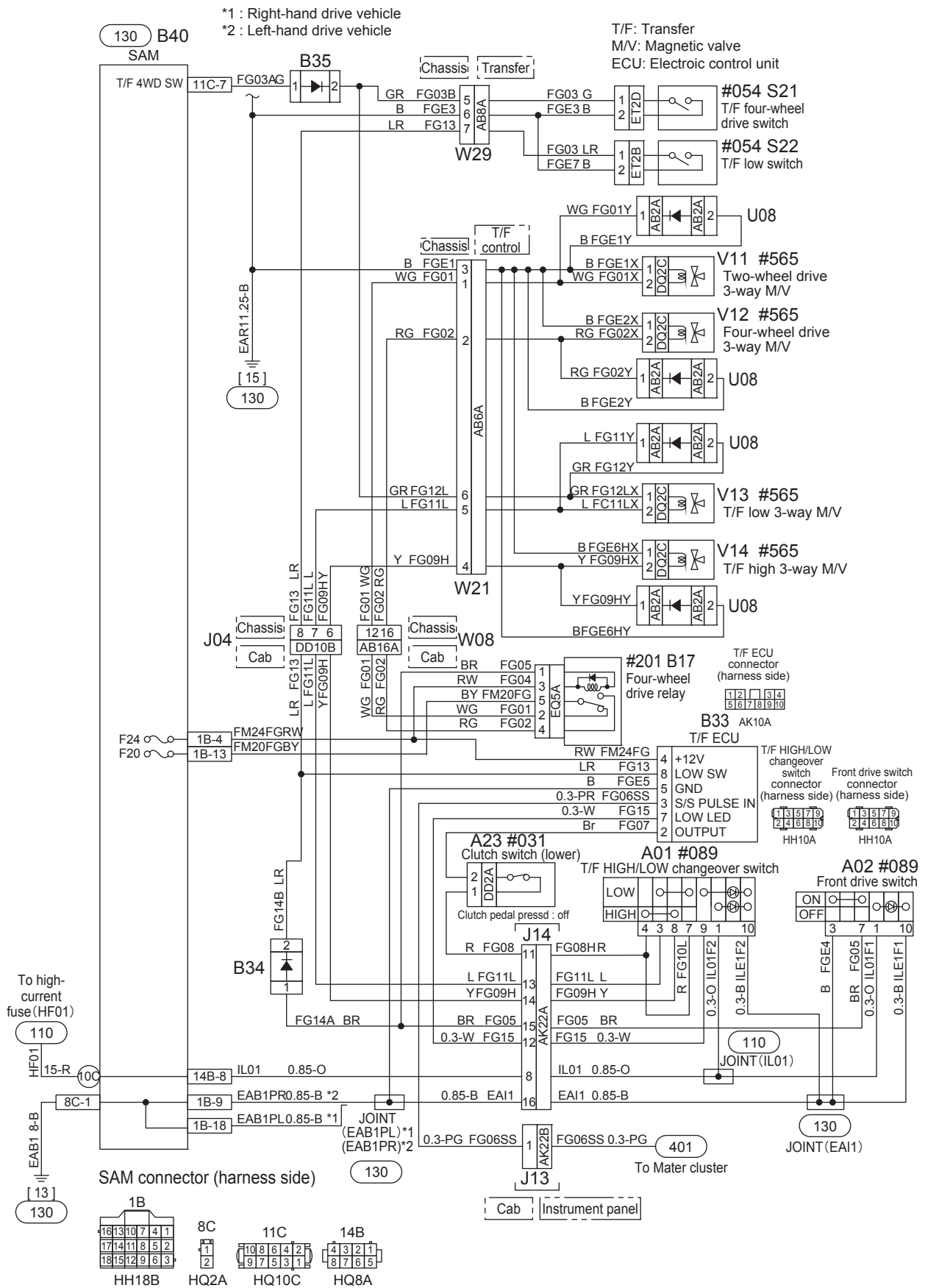
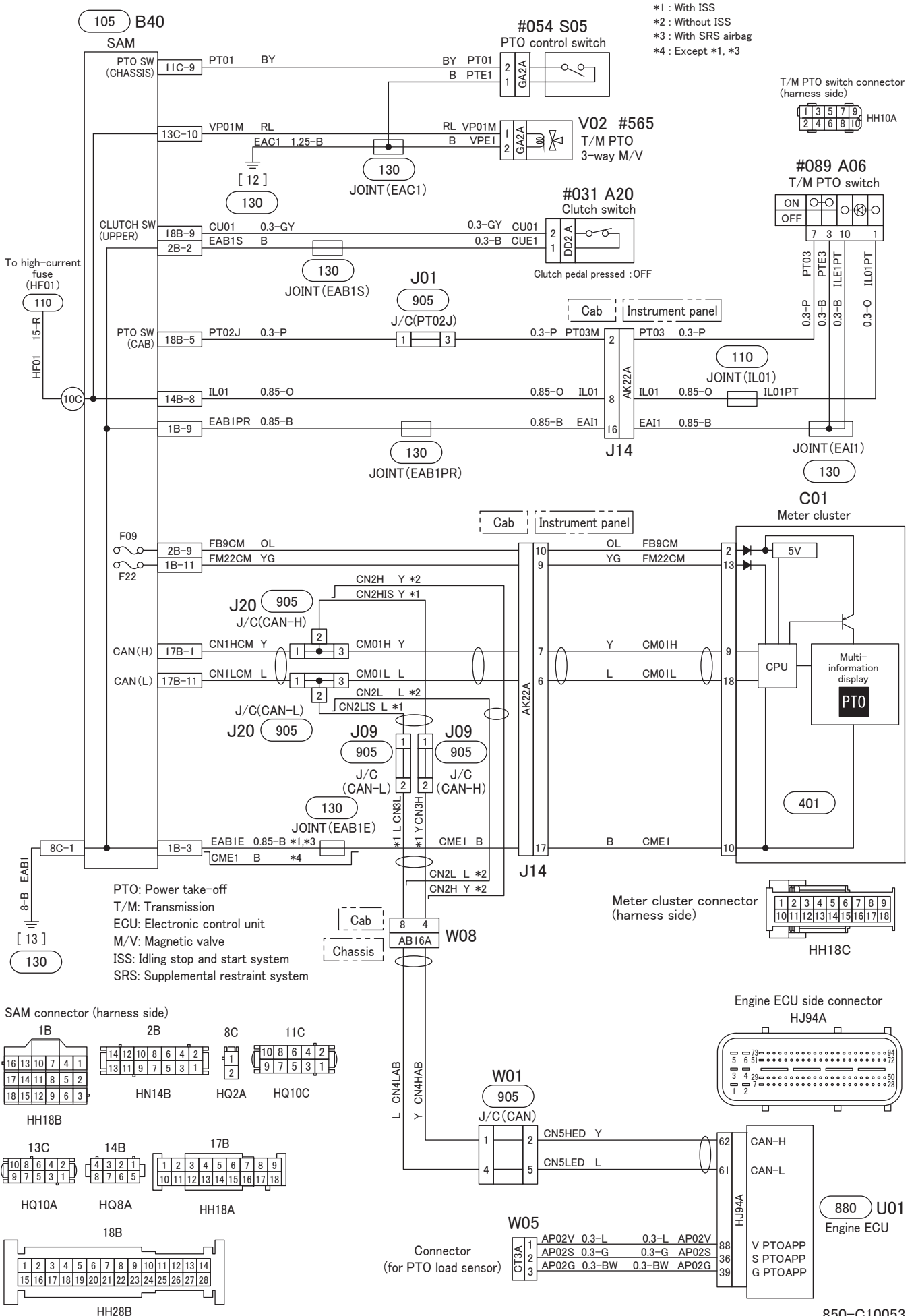

GROUP 54-08
ENGINE AND TRANSMISSION
SIDE ELECTRICAL CIRCUIT

(2/2)

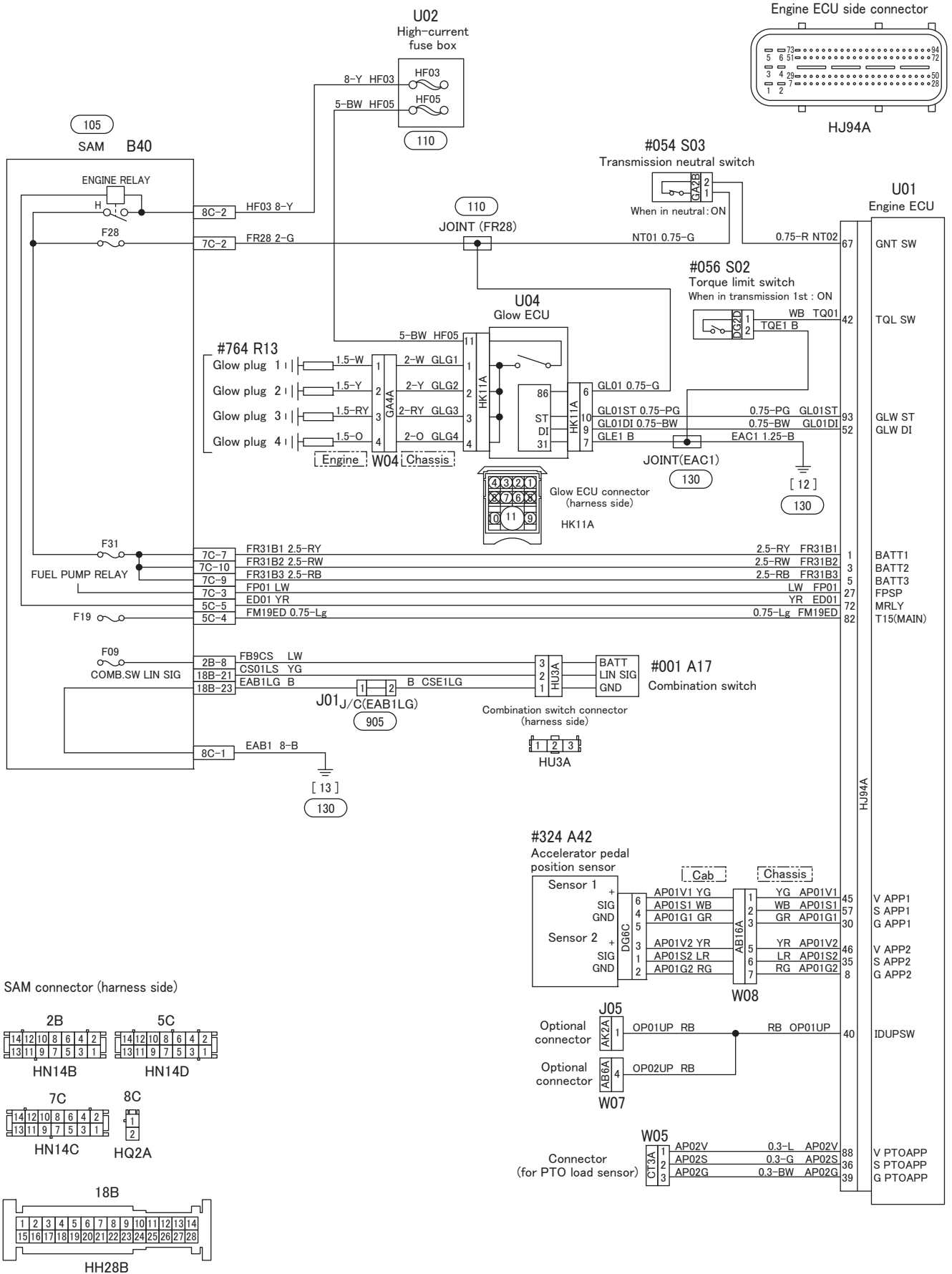


850 TRANSMISSION POWER TAKE-OFF CIRCUIT



M E M O

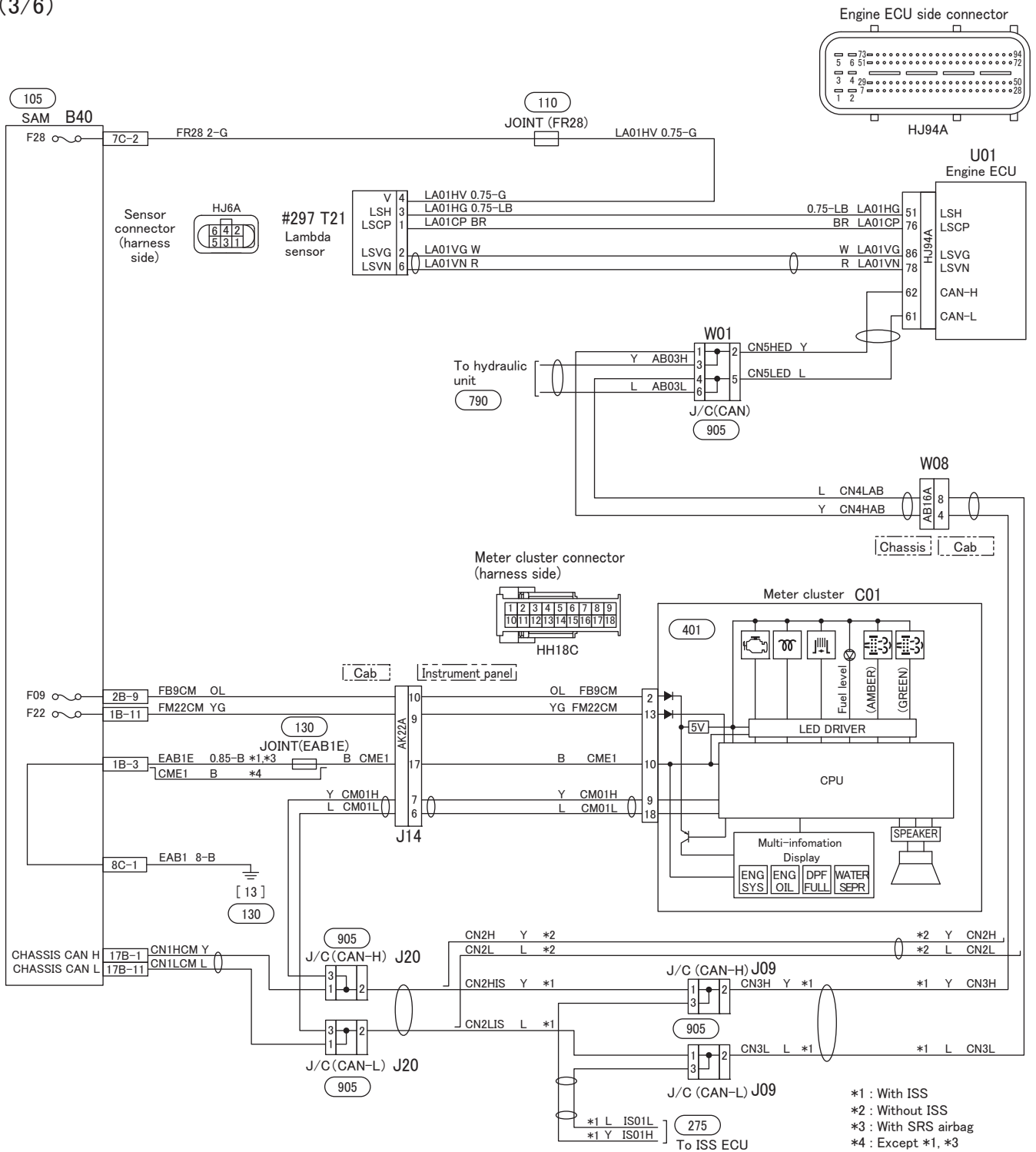
(2/6)



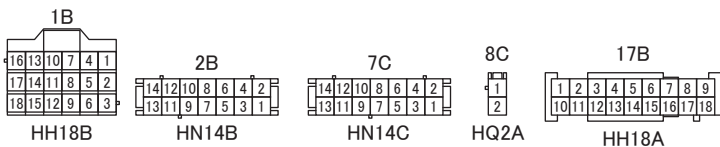
ECU : Electronic control unit
PTO : Power take-off

880 COMMON RAIL SYSTEM ELECTRIC CIRCUIT

(3/6)

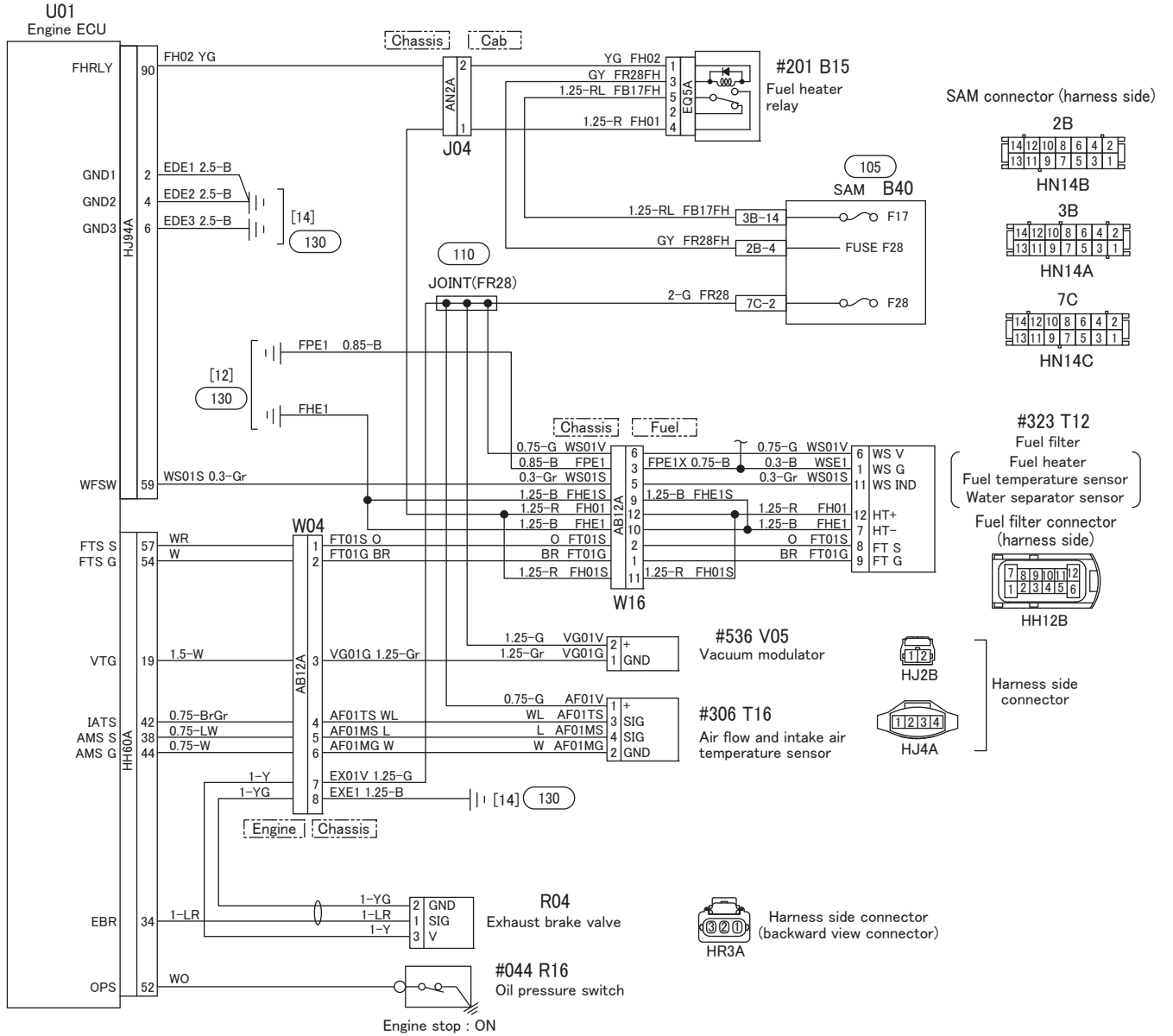


SAM connector (harness side)

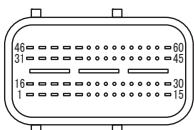


ECU : Electronic control unit
ISS : Idling stop and start system
SRS : Supplemental restraint system

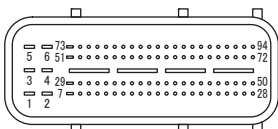
(4/6)



Engine ECU side connector



HH60A



HJ94A

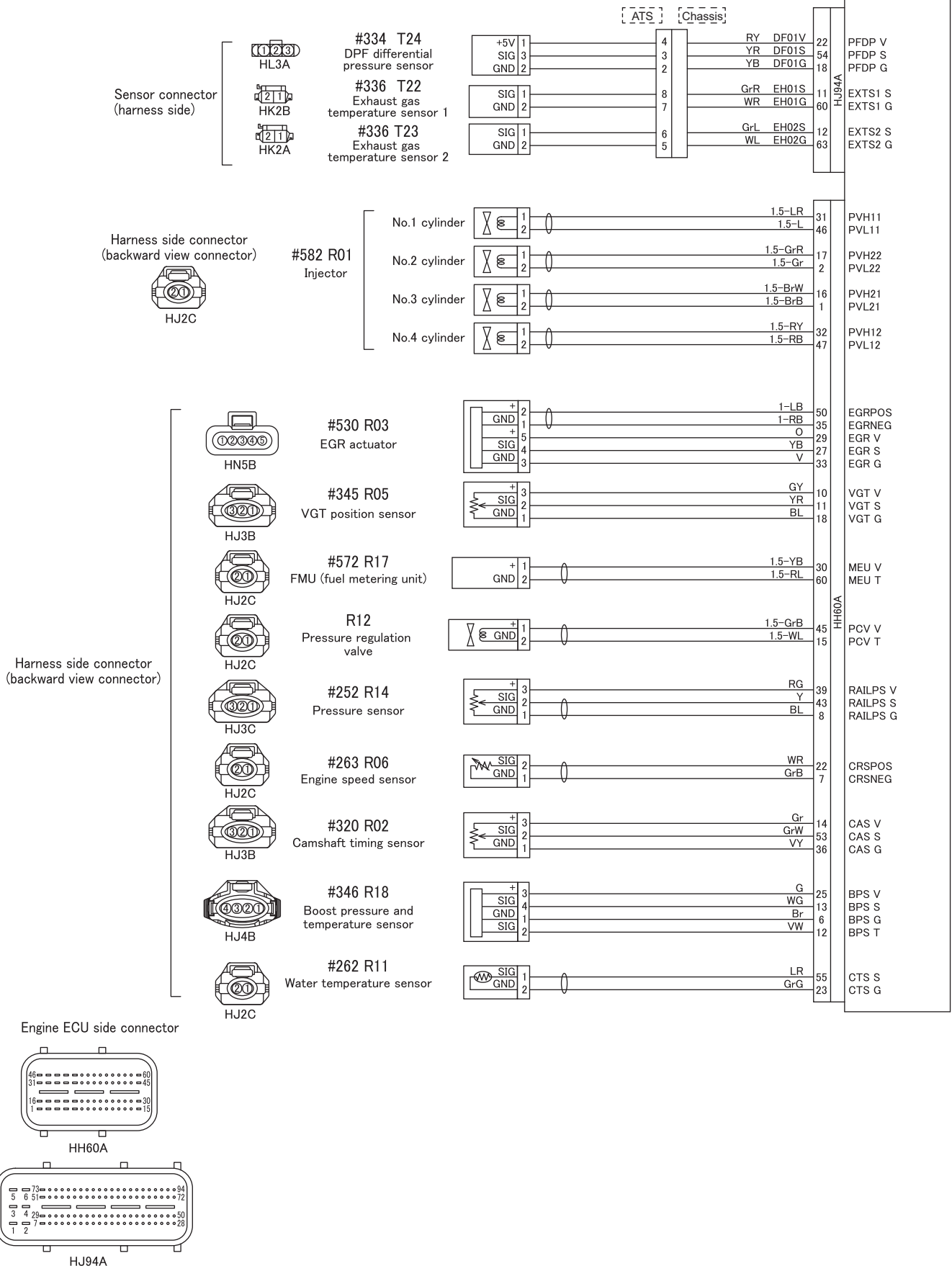
ECU: Electronic control unit

880 COMMON RAIL SYSTEM ELECTRIC CIRCUIT

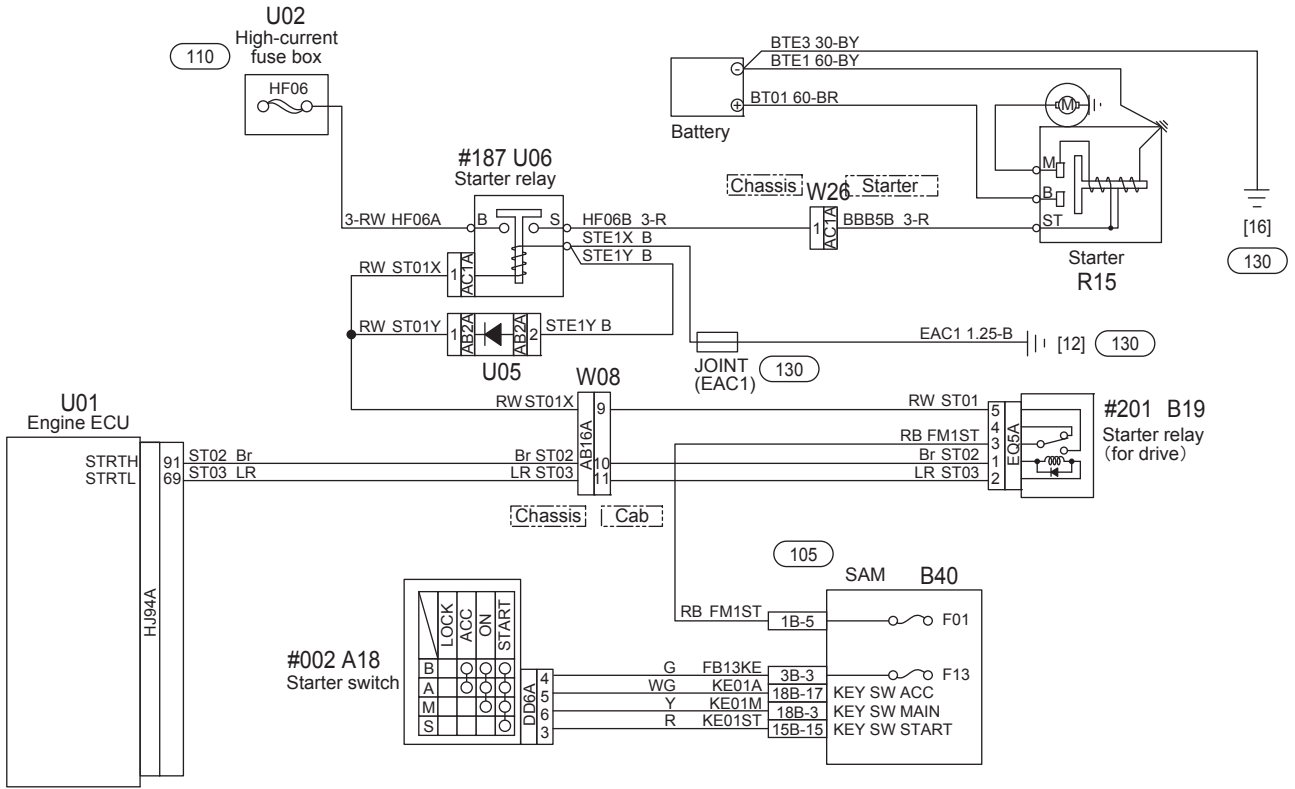
(5/6)

ECU: Electronic control unit
 DPF: Diesel particulate filter
 VGT: Variable geometry turbocharger
 EGR: Exhaust gas recirculation

U01
 Engine ECU

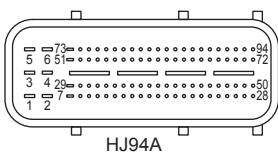


(6/6)



ECU: Electronic control unit

Engine ECU side connector



SAM connector (harness side)

