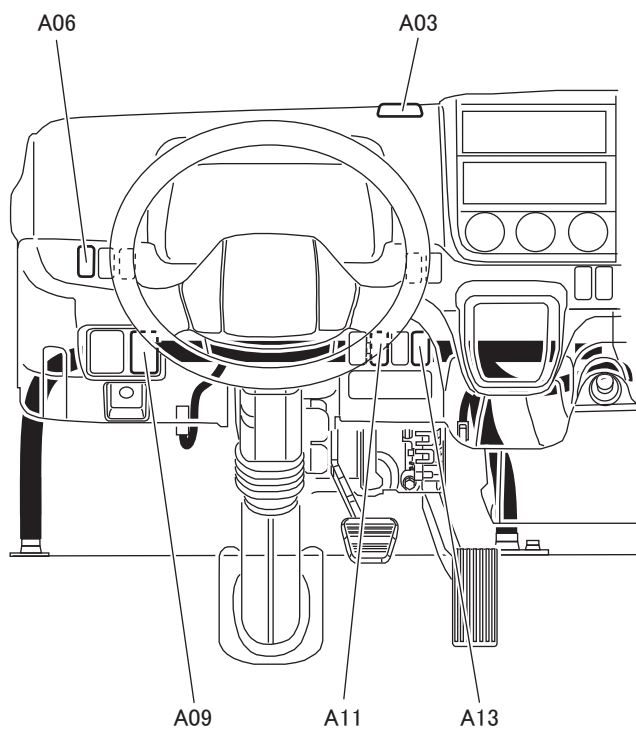

GROUP 54-10
ELECTRICAL EQUIPMENT
INSTALLATION POSITIONS

A SWITCH AND SENSOR

A03 - 13

(Switch)

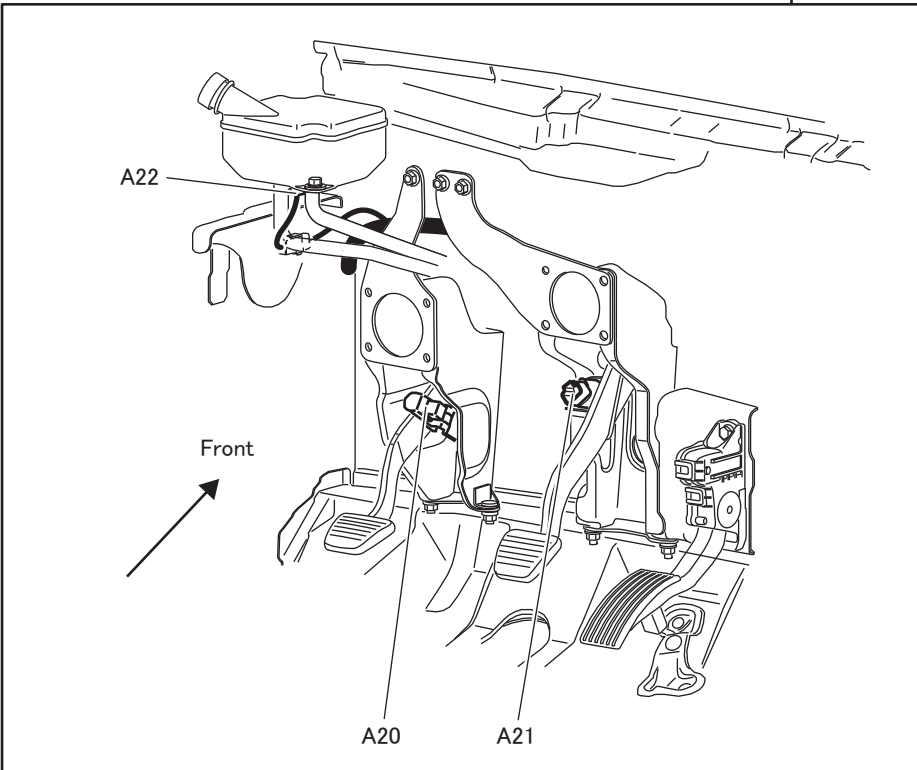
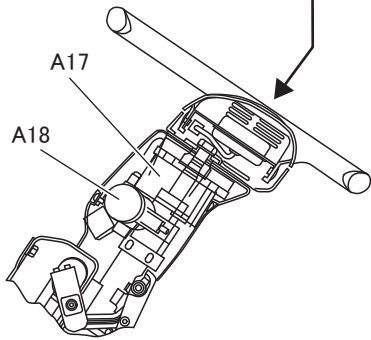
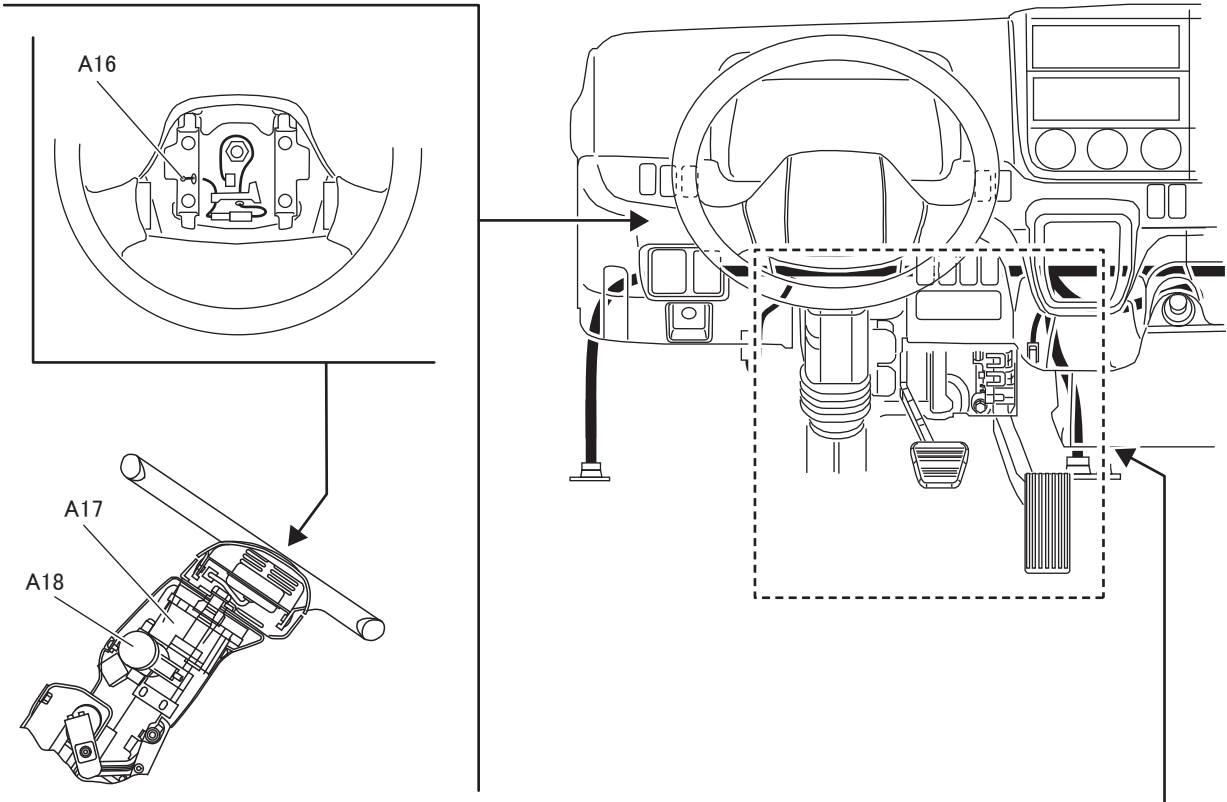


- A03 Hazard switch
- A06 Transmission power take-off switch
- A09 Headlamp leveling switch
- A11 ISS cut switch
- A13 DPF cleaning switch

DPF : Diesel particulate filter
ISS : Idling stop and start system

A16 - 22

(Switch)

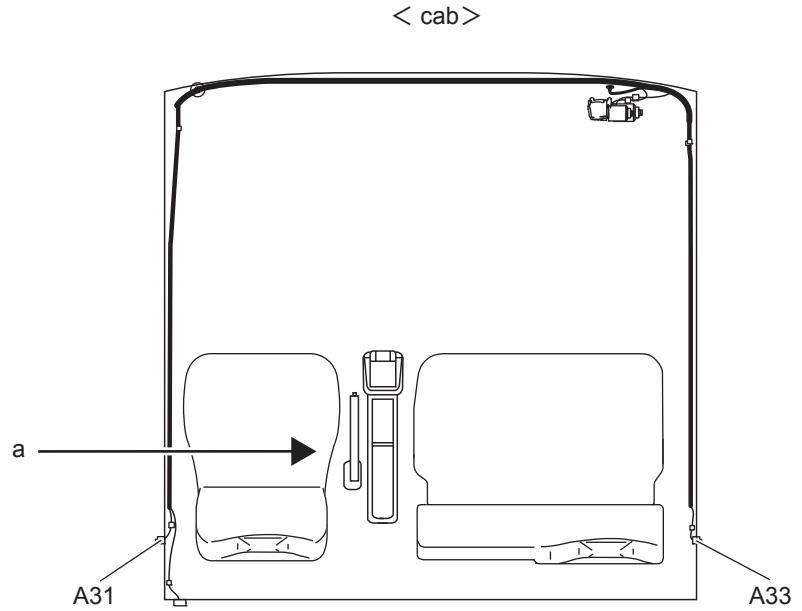


- A16 Horn switch
- A17 Combination switch
- A18 Starter switch
- A20 Clutch switch

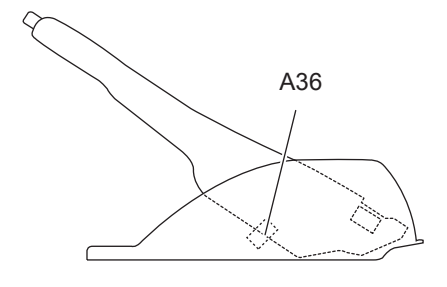
- A21 Stop lamp switch
- A22 Brake fluid level switch

A SWITCH AND SENSOR

A31 - 36 (Switch)



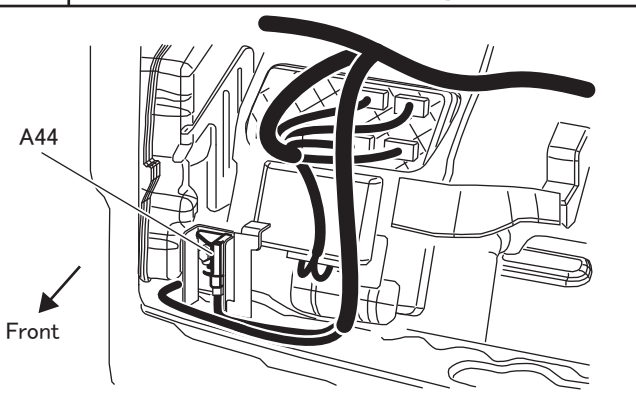
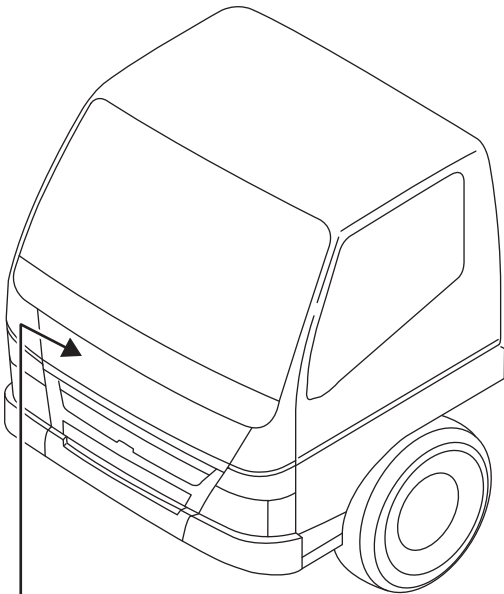
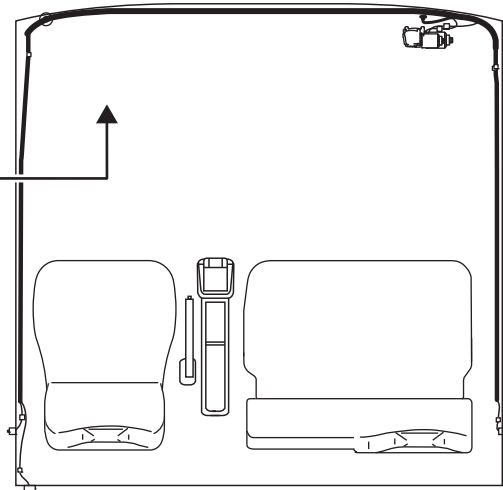
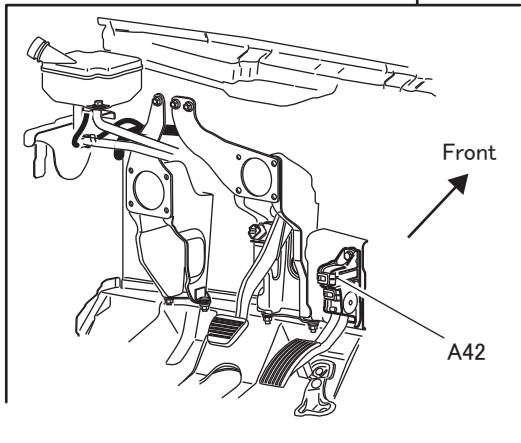
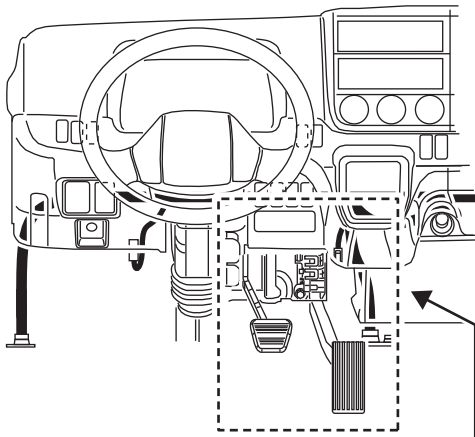
(View a)
< Parking brake lever >



A31 Front door switch, Dr
A33 Front door switch, As
A36 Parking brake switch

Dr : Driver's seat side
As : Assistant driver's seat side

A42 - 44 (Sensor)

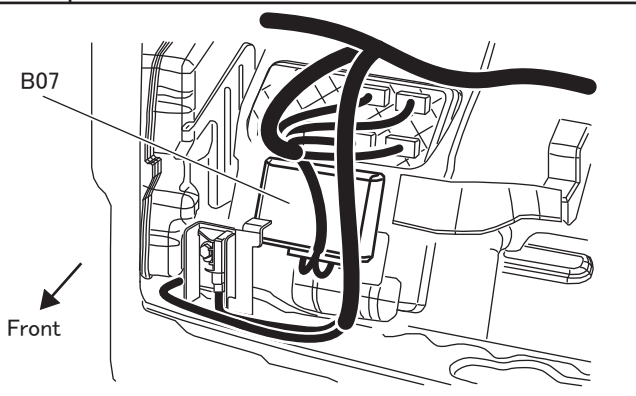
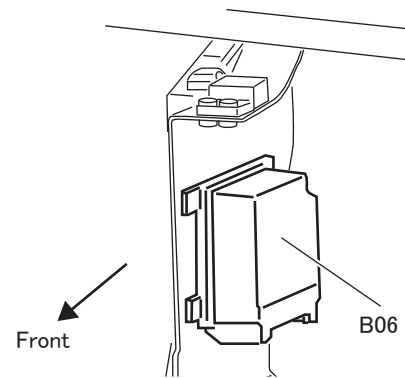
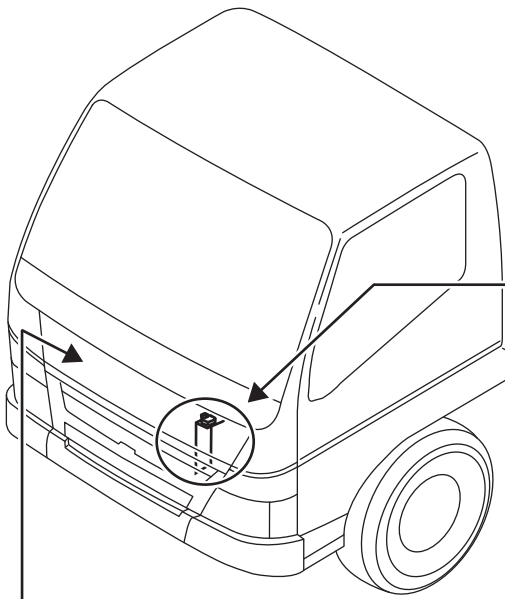


- A42 Accelerator pedal position sensor
- A44 Sub G sensor <SRS airbag>

SRS : Supplemental restraint system

B RELAY AND ELECTRONIC CONTROL UNIT

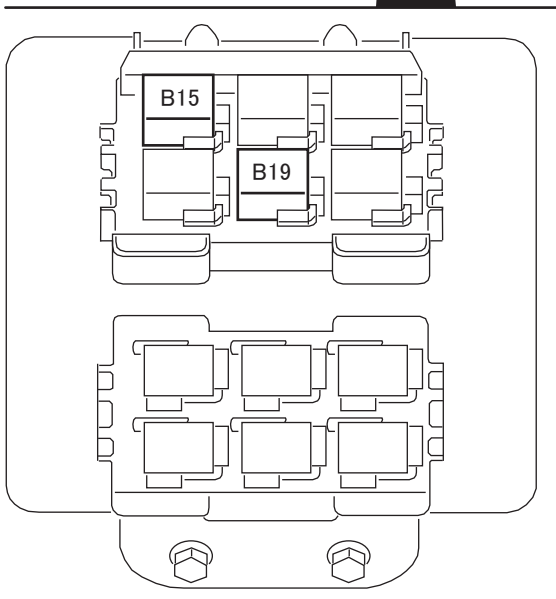
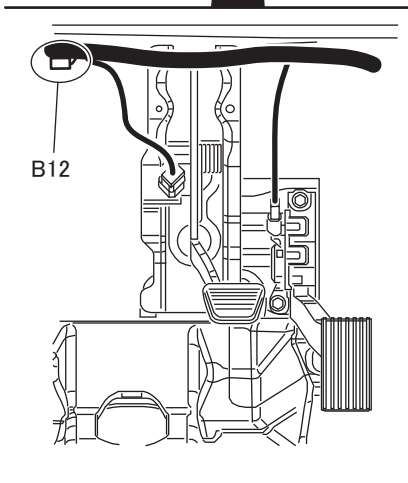
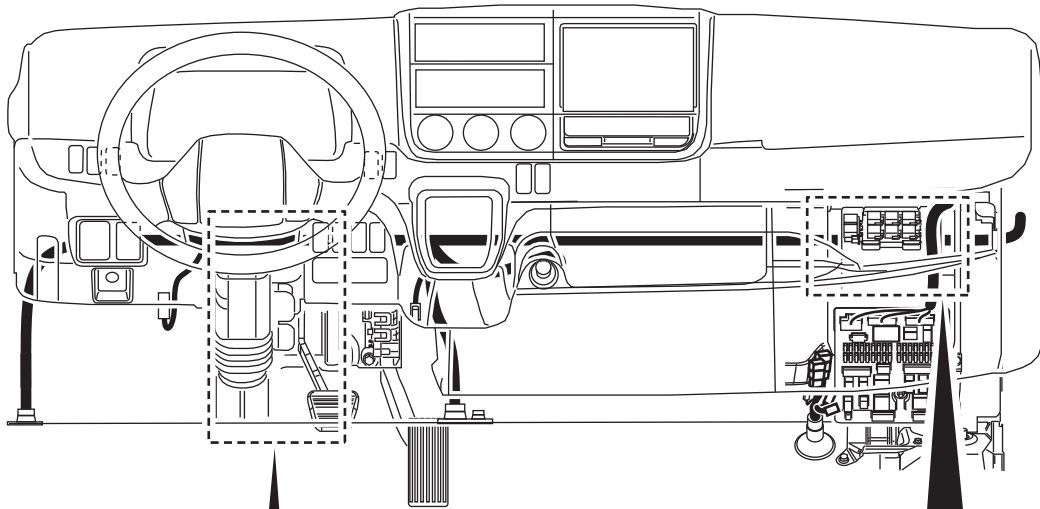
B06 - 07



B06 Airbag ECU
B07 ISS ECU

ECU : Electronic control unit
ISS : Idling stop and start system

B12 - 19

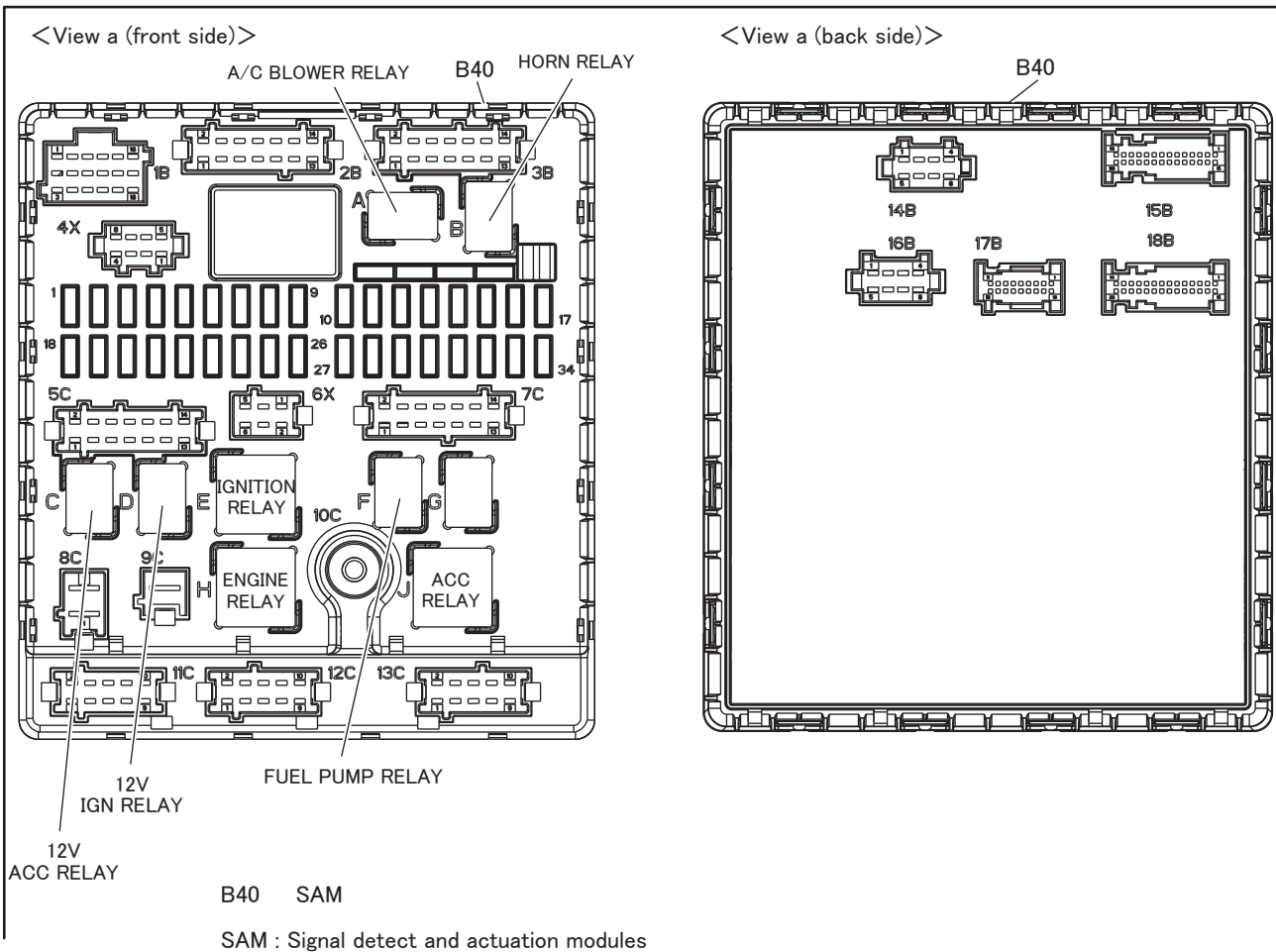
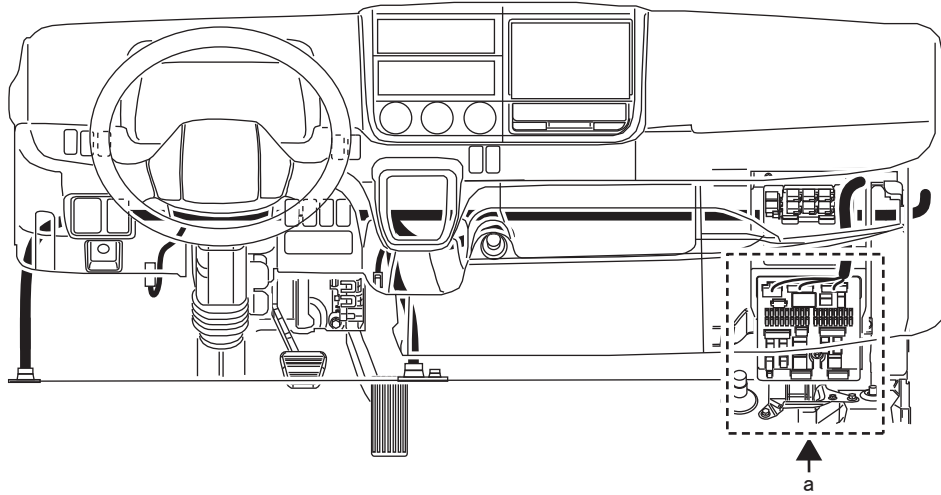


- B12 CAN resistor
- B15 Fuel heater relay
- B19 Starter relay (for drive)

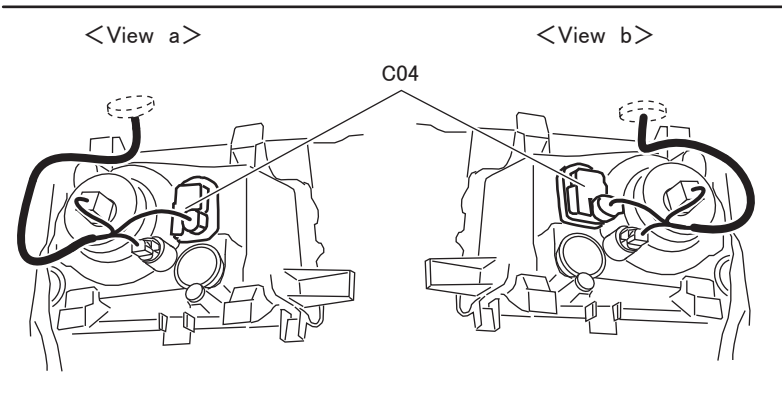
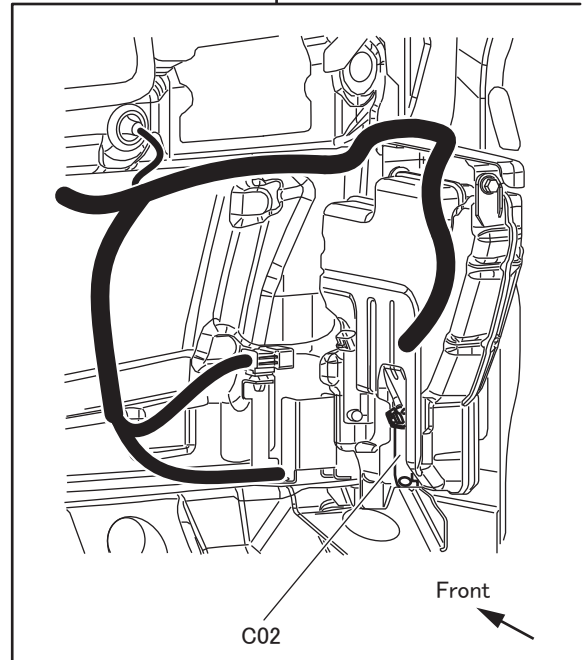
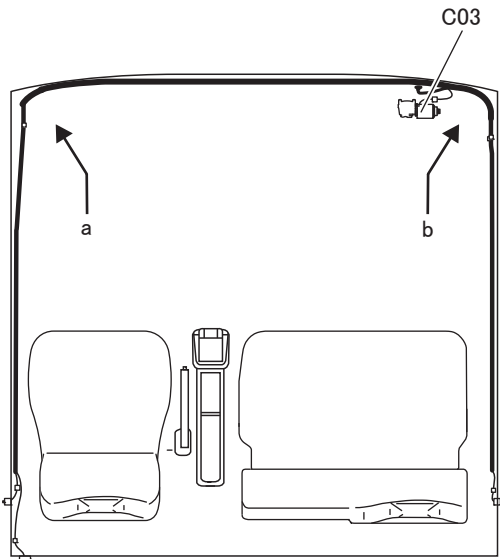
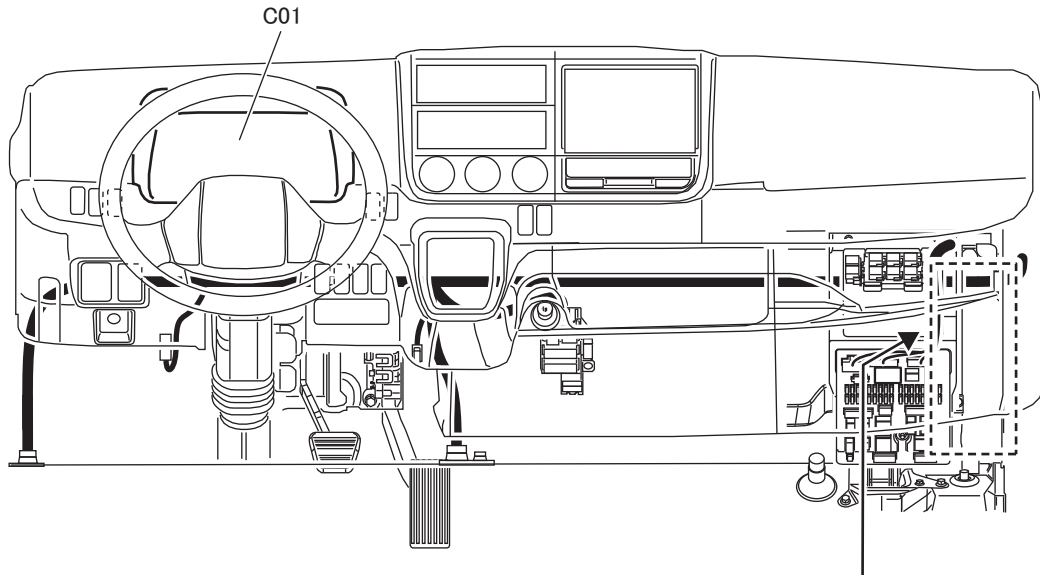
CAN : Controller Area Network

B RELAY AND ELECTRONIC CONTROL UNIT

B40



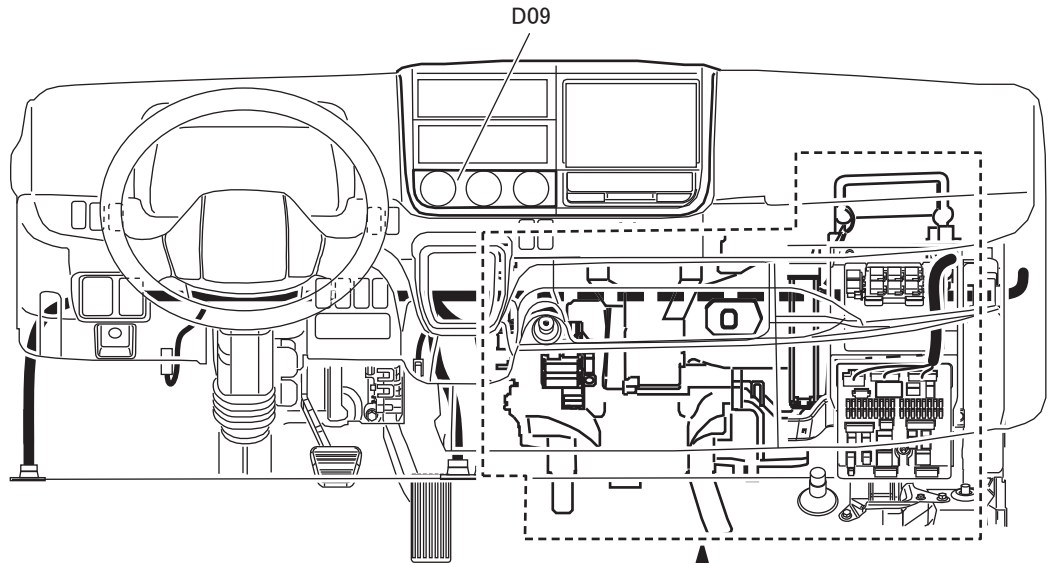
C01 - 04



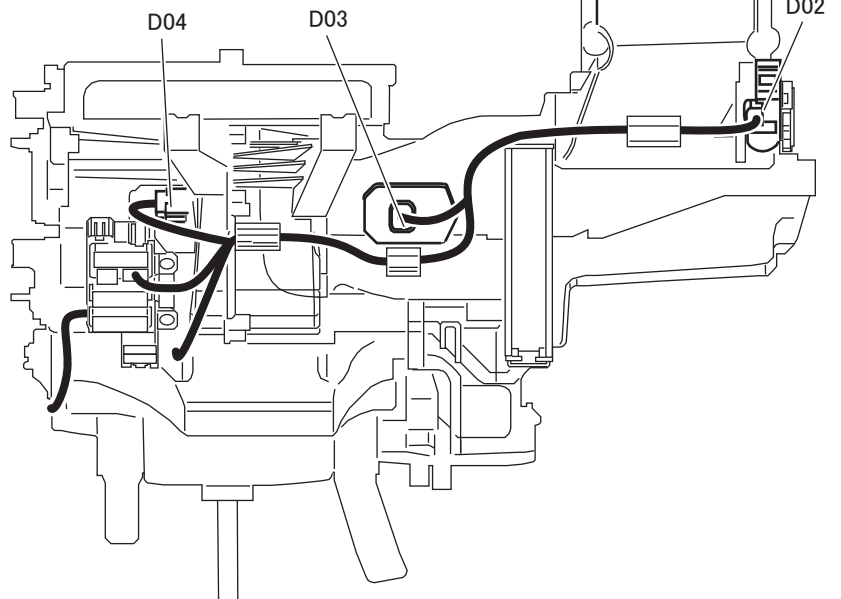
- C01 Meter cluster
- C02 Windshield washer motor
- C03 Wiper motor
- C04 Headlamp leveling actuator

D HEATER

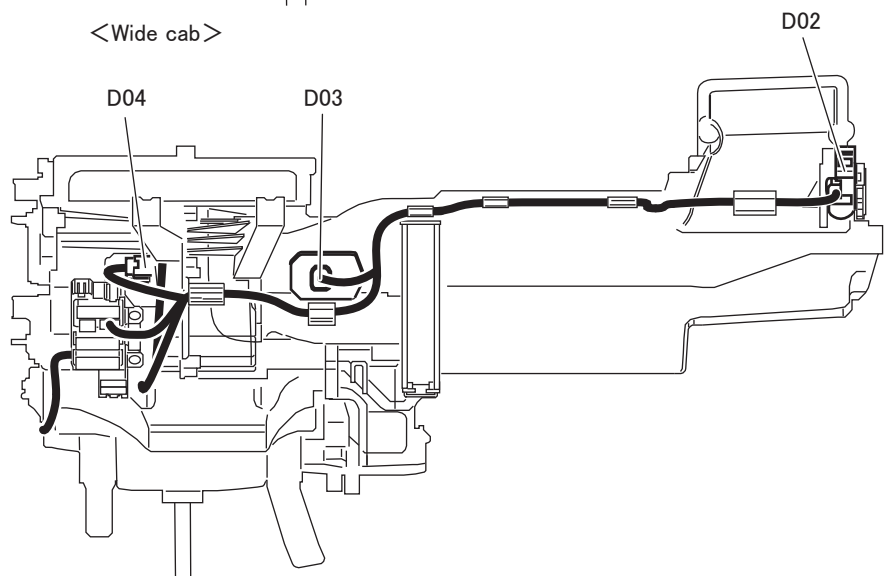
D02 - 09



< Standard cab >

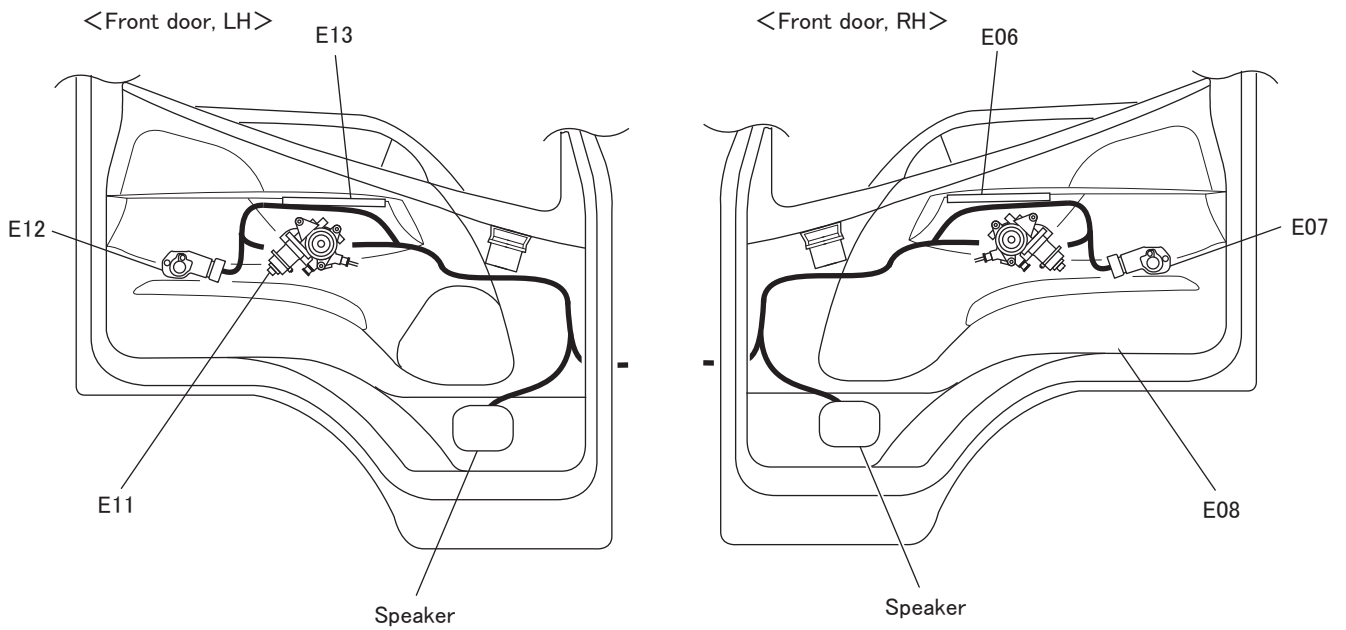


< Wide cab >



- D02 Fresh/recirculation changeover motor
- D03 Blower resistor
- D04 Blower motor
- D09 Heater control panel

E06 - 13



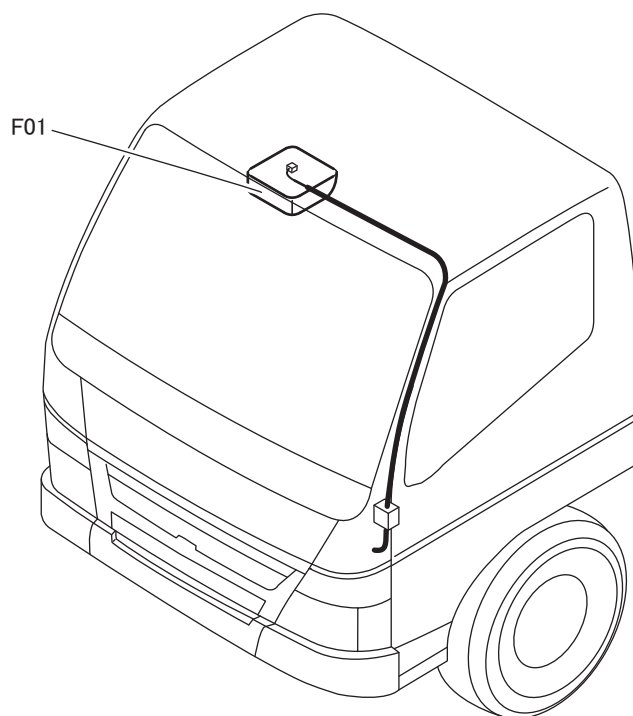
- E06 Power window switch, As
- E07 Door lock actuator, As
- E08 Power window motor, As
- E11 Power window motor, Dr
- E12 Door lock actuator, Dr
- E13 Power window switch, Dr

Dr : Driver's seat side
As : Assistant driver's seat side

F ROOF

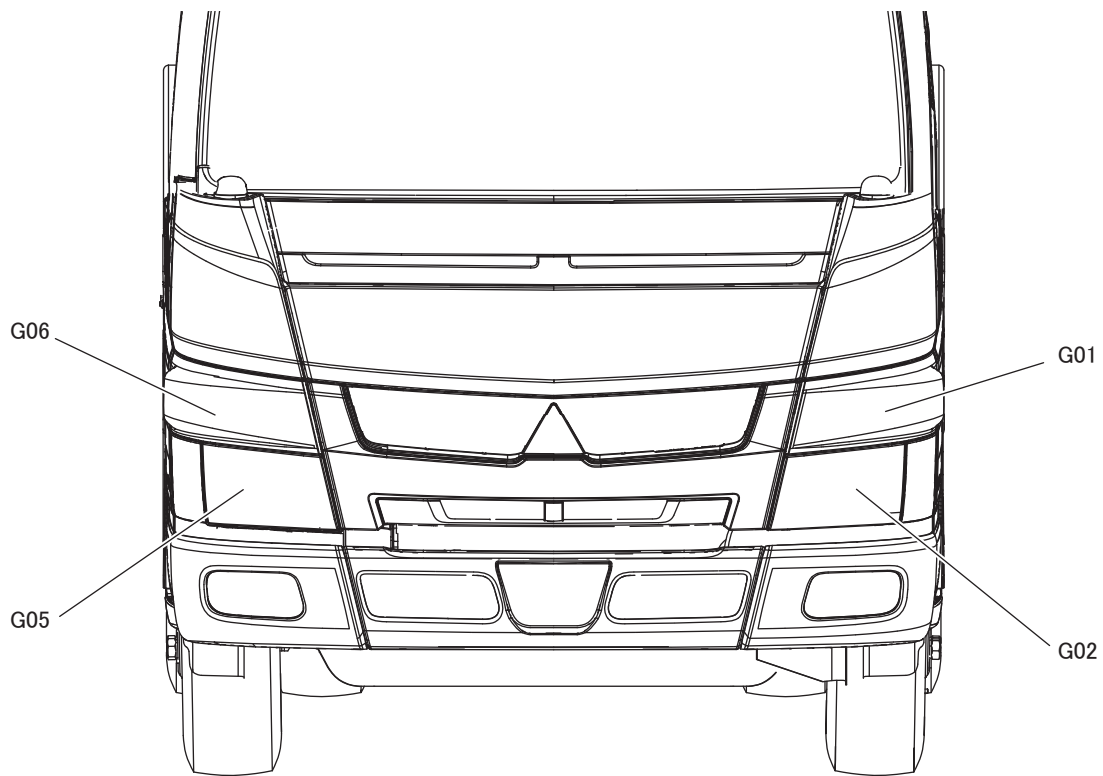
F01

< cab >



F01 Cab lamp

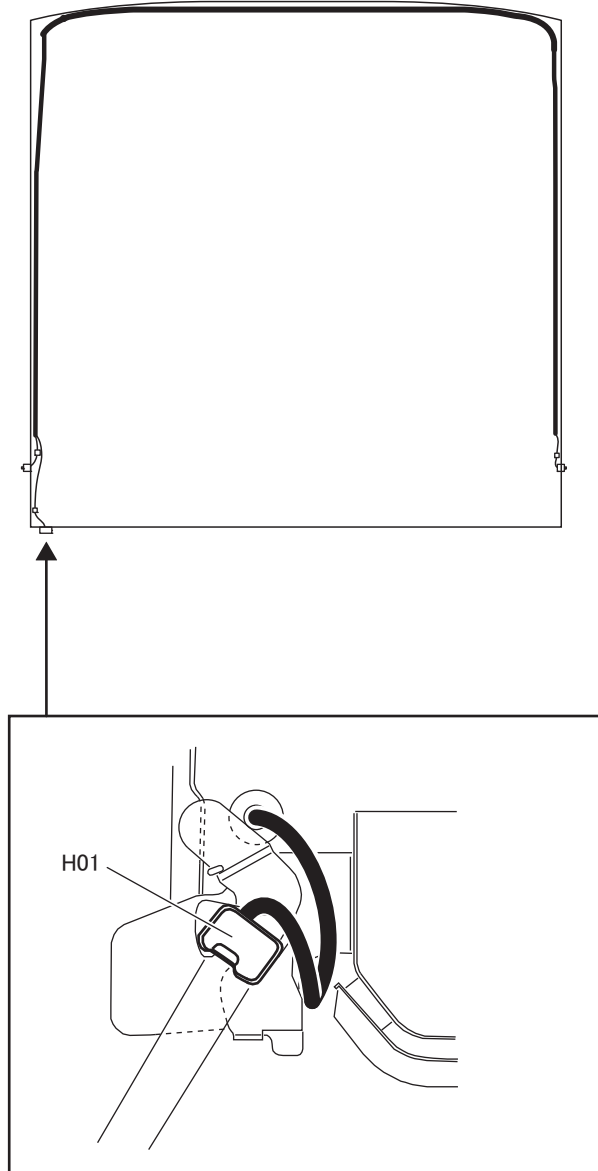
G01 - 06



- G01 Front and side turn signal lamp, LH
- G02 Headlamp, LH
- G05 Headlamp, RH
- G06 Front and side turn signal lamp, RH

H TILT

H01

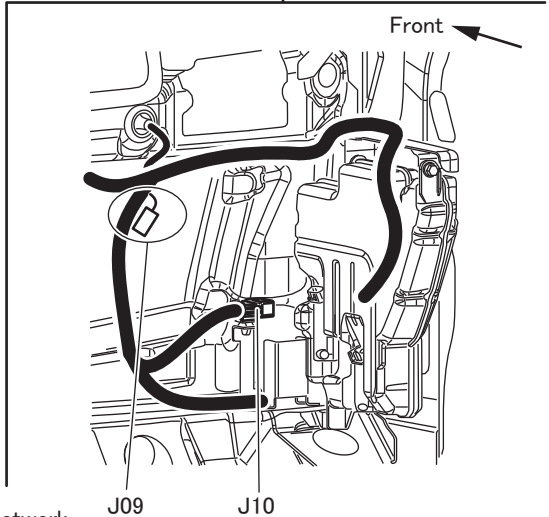
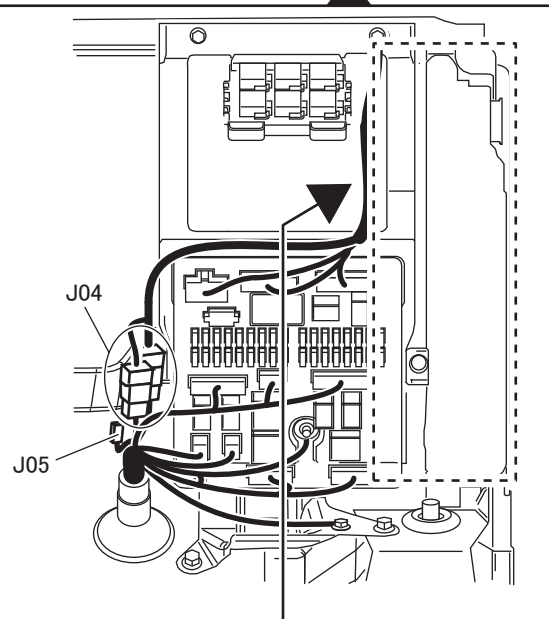
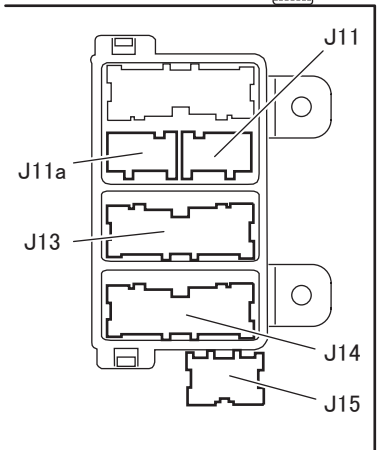
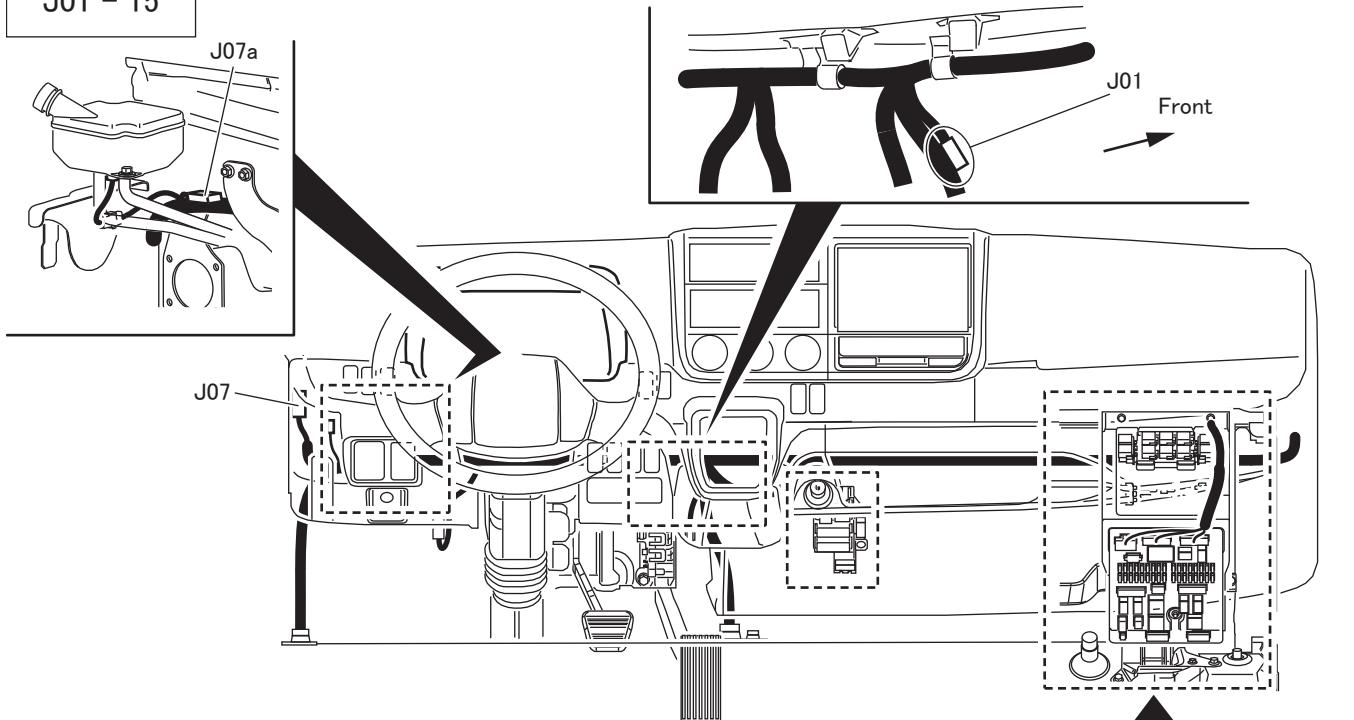


H01 Cab tilt lock switch <Except crew cab>

M E M O

J JOINTS OF MAIN HARNESS CONNECTORS

J01 - 15

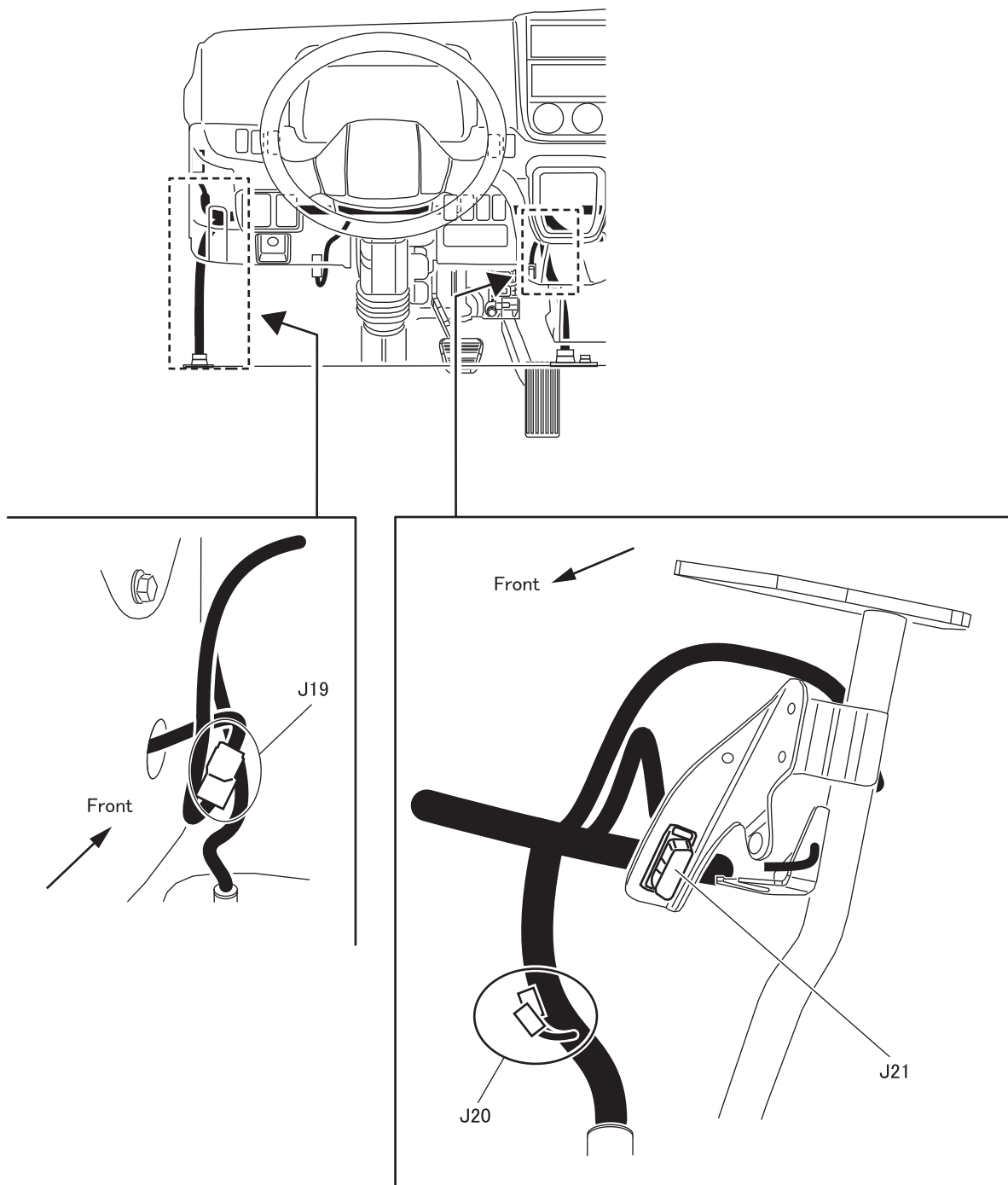


- J01 Joint connector (Ground : EAB1LG),
Joint connector (PTO : PT02J)
- J04 Connection of cab harness and chassis harness : [AN2A], [AK3A]
- J05 Optional connector : [AK2A]
- J07 Connection of cab harness and roof harness : [AK8A]
- J07a Joint connector (Headlamp leveling : ML01VJ)
- J09 Joint connector (ISS : CAN-H),
Joint connector (ISS : CAN-L)
- J10 Connection of cab harness and door harness,
(assistant driver's seat side) : [DD7A],
Connection of door harness and rear door harness,
(assistant driver's seat side) : [DD2A] <Crew cab>
- J11 Connection of cab harness and air-conditioner harness : [AN2A]
- J11a Connection of instrument panel harness and air-conditioner harness
: [AK6A]
- J13 Connection of cab harness and instrument panel harness : [AK22B]
- J14 Connection of cab harness and instrument panel harness : [AK22A]
- J15 Connection of instrument panel harness and air-conditioner harness
: [AN6A]

CAN : Controller Area Network
ISS : Idling stop and start system
PTO : Power take-off

Indicate by connector type [].

J19 - 21



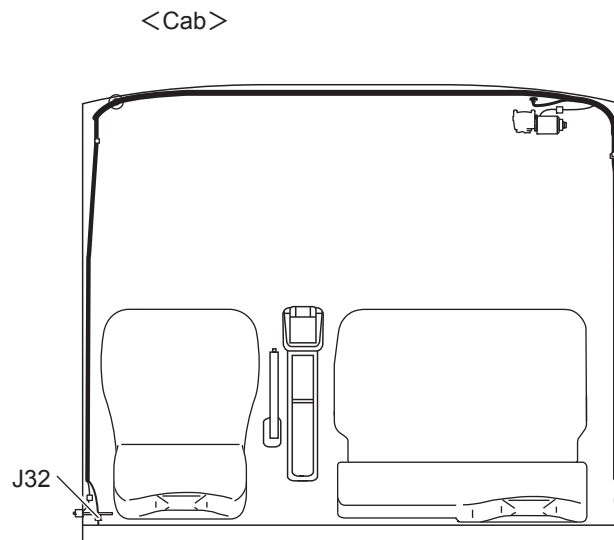
- J19 Connection of cab harness and door harness, (driver's seat side) : [DD7A],
 J20 Joint connector (Meter cluster : CAN-H),
 Joint connector (Meter cluster : CAN-L)
 J21 Diagnosis connector

CAN : Controller Area Network

Indicate by connector type [].

J JOINTS OF MAIN HARNESS CONNECTORS

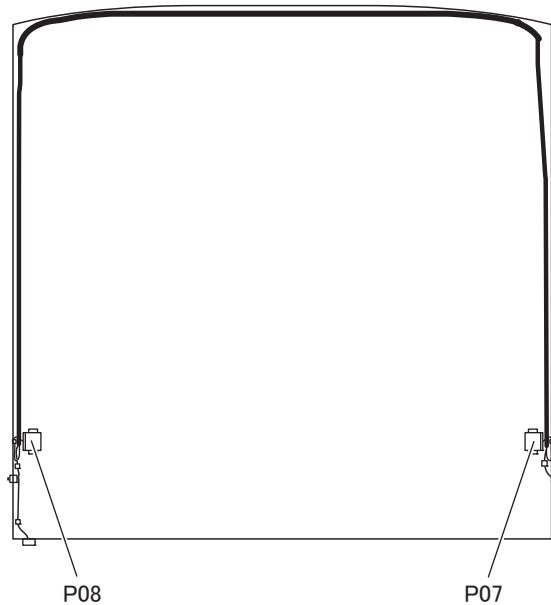
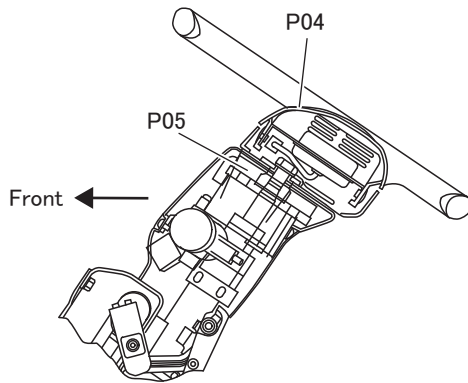
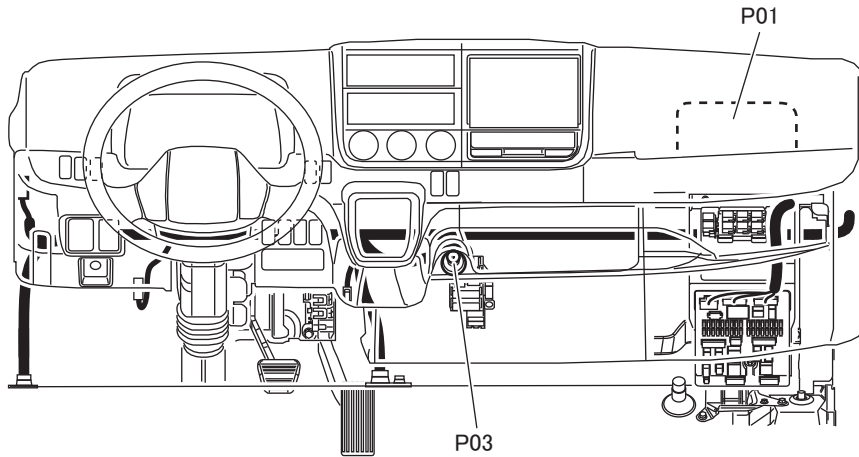
J32



J32 Connection of cab harness and rear door switch harness : [AK3A]

Indicate by connector type [].

P01 - 08

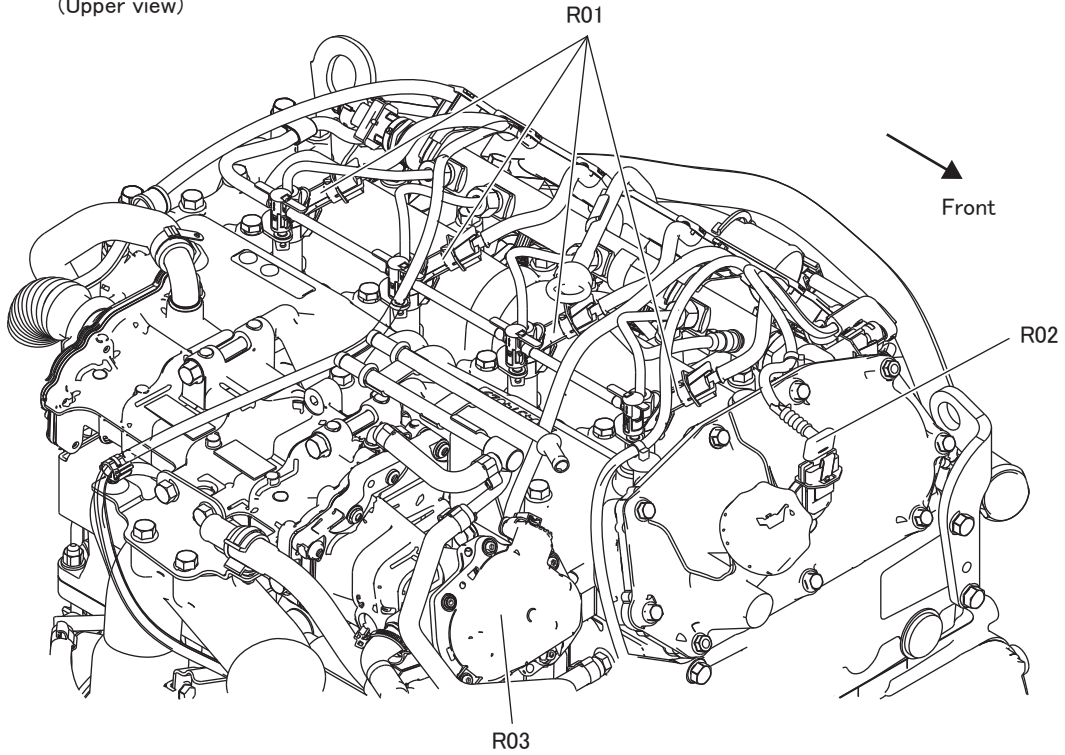


- P01 Airbag module (assistant driver's seat side) <*1>
- P03 Cigarette lighter
- P04 Airbag module (driver's seat side) <*1>
- P05 Clock spring <*1>
- P07 Seat belt with pre-tensioner (assistant driver's seat side) <*1>
- P08 Seat belt with pre-tensioner (driver's seat side) <*1>

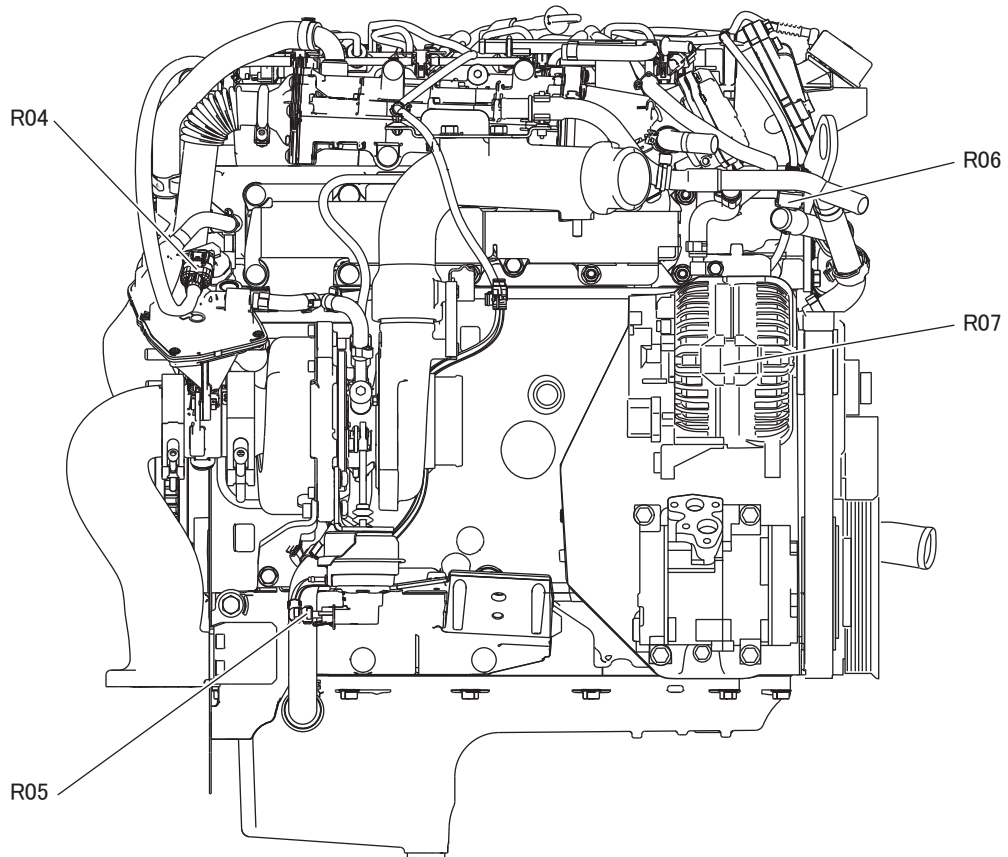
*1 : SRS airbag
 SRS : Supplemental restraint system

R01 - 07

(Upper view)



(Right side view)



R01 Injector
R02 Camshaft timing sensor
R03 EGR actuator
R04 Exhaust brake valve

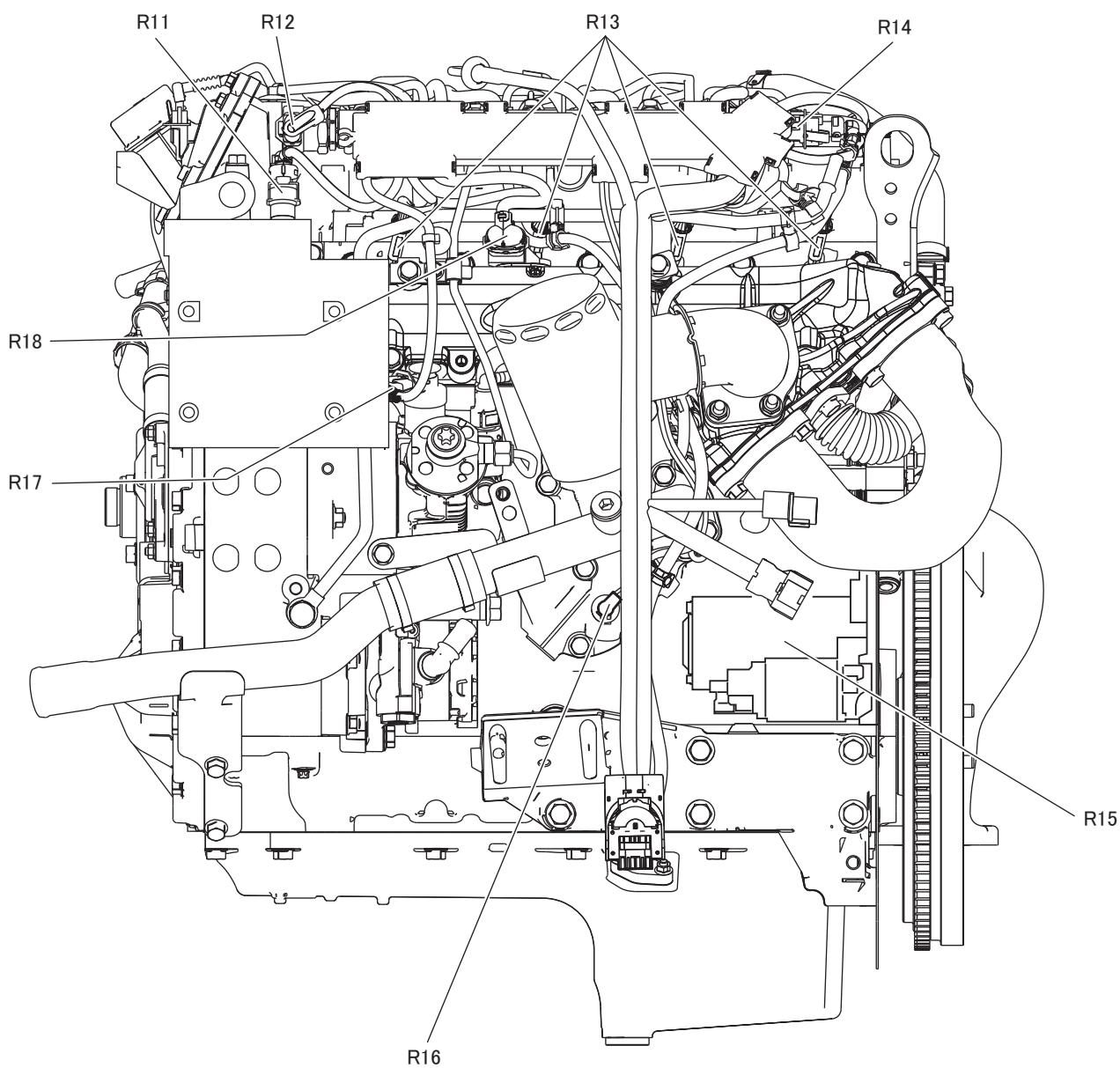
R05 VGT position sensor
R06 Engine speed sensor
R07 Alternator

EGR : Exhaust gas recirculation
VGT : Variable geometry turbocharger

54-L10053R-1

R11 - 18

(Left side view)

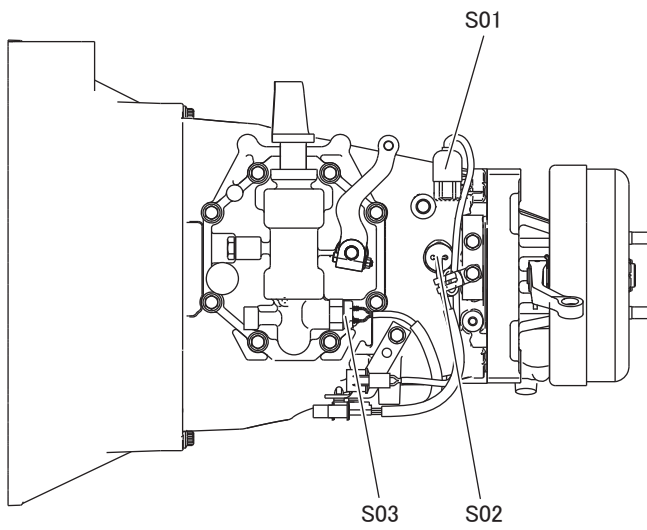


- R11 Water temperature sensor
- R12 Pressure regulation valve
- R13 Glow plug
- R14 Pressure sensor
- R15 Starter
- R16 Oil pressure switch
- R17 FMU (fuel metering unit)
- R18 Boost pressure and temperature sensor

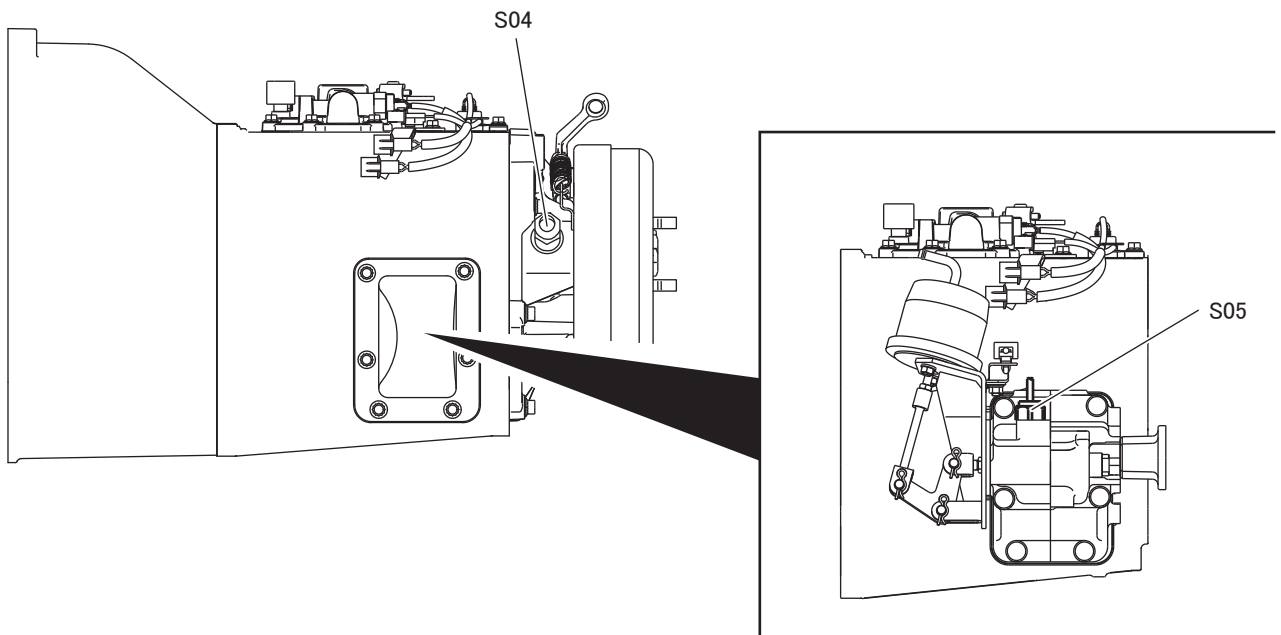
S TRANSMISSION

S01 - 05

(Upper view)



(Left side view)



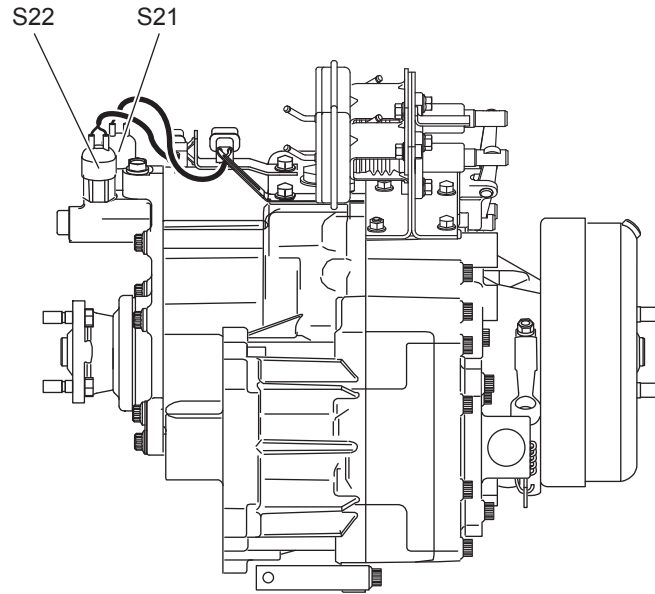
- S01 Backup lamp switch
- S02 Torque limit switch
- S03 Transmission neutral switch
- S04 Vehicle speed sensor
- S05 PTO control switch

PTO : Power take-off

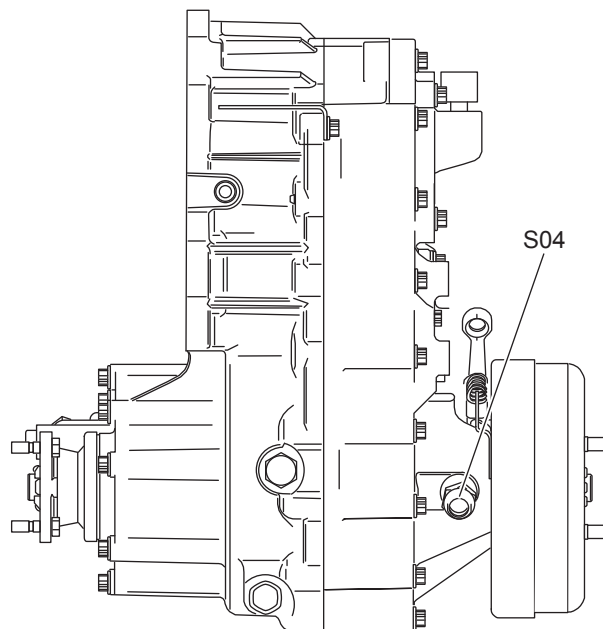
S04 - 22

<Transfer (FG)>

(Upper view)



(Left side view)

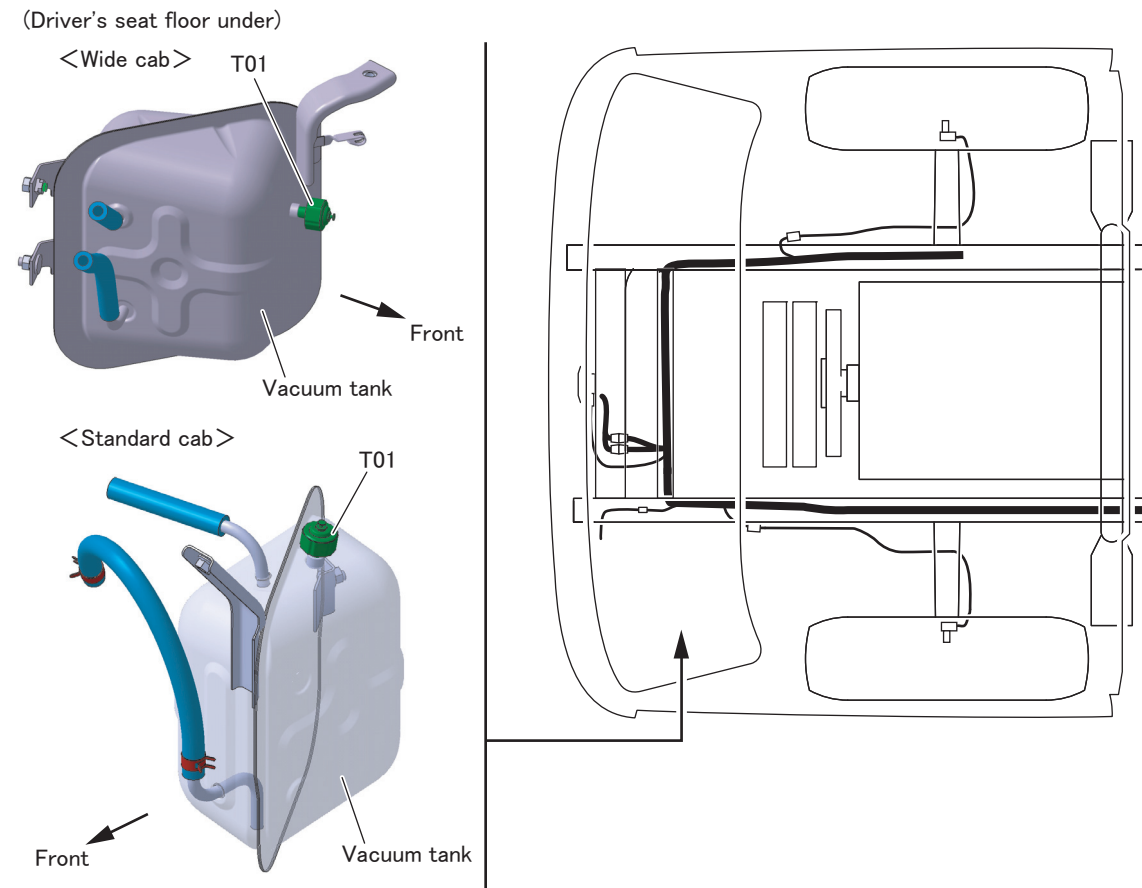


- S04 Vehicle speed sensor
- S21 Transfer four-wheel drive switch
- S22 Transfer low switch

T SWITCH AND SENSOR

T01

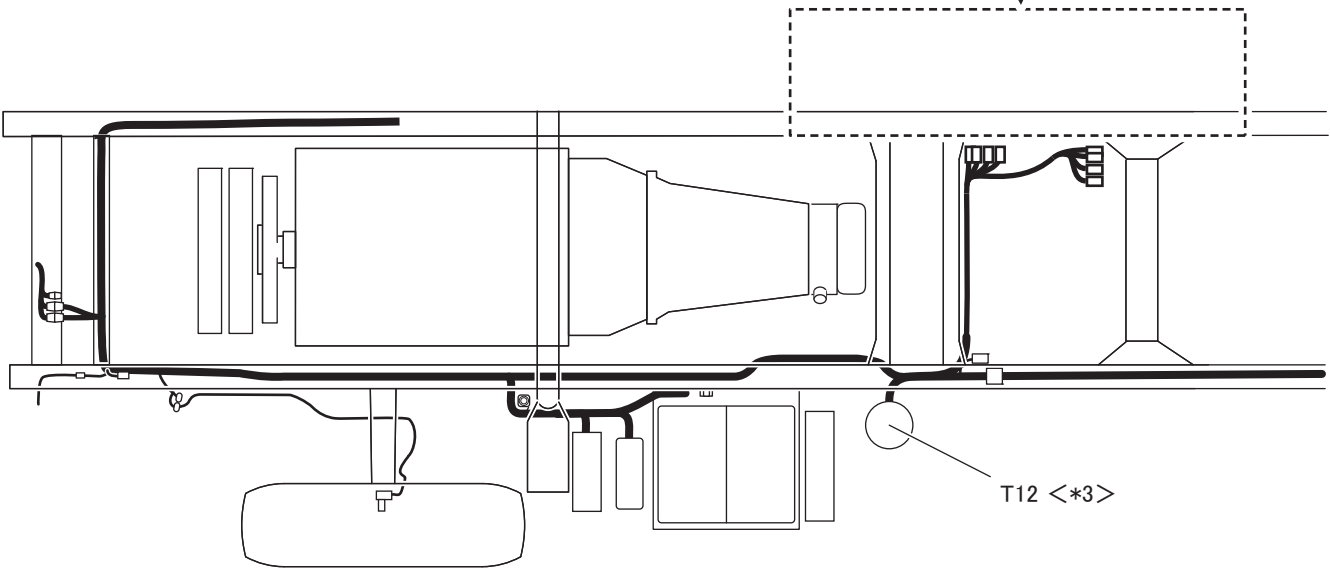
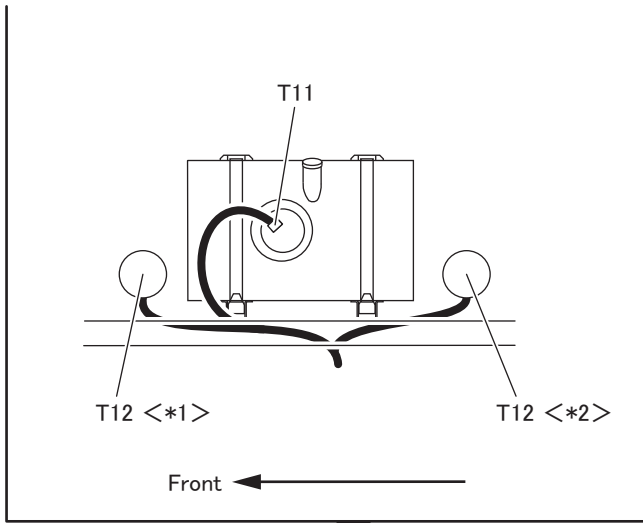
(Switch)



T01 Vacuum switch

T11 - 12

(Sensor)



T11 Fuel level sensor, fuel pump
 T12 Fuel filter

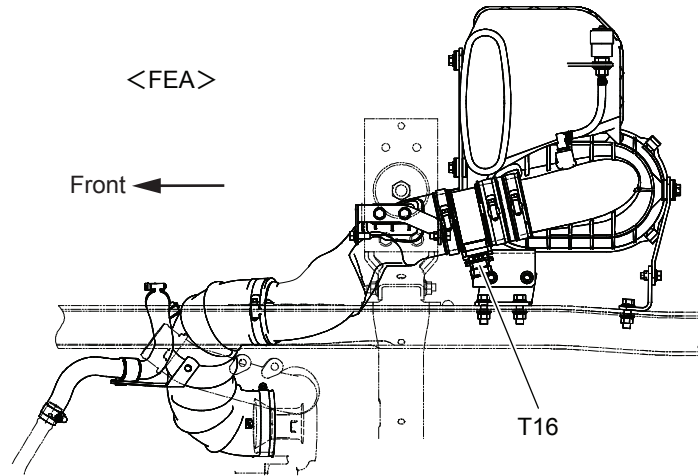
- *1 : Fuel tank front side
- *2 : Fuel tank rear side
- *3 : Frame left side

PTO : Power take-off

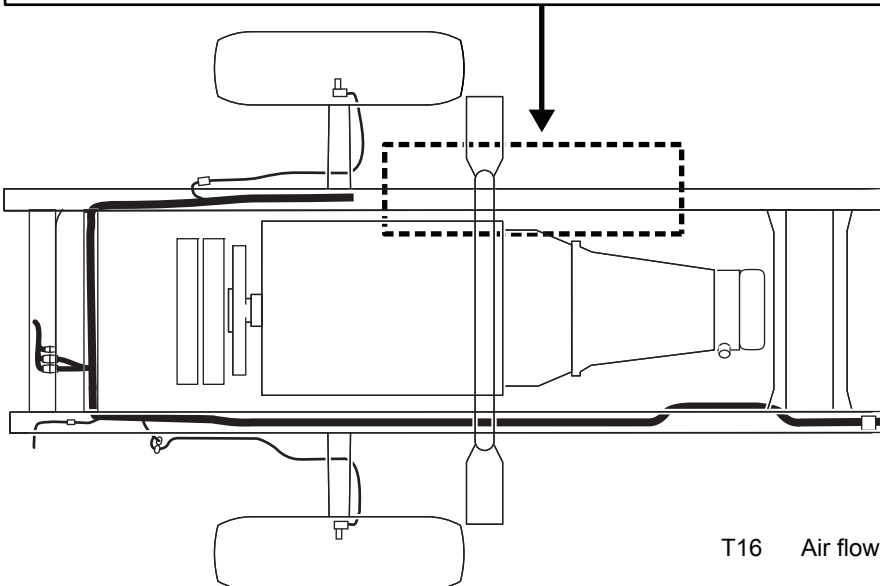
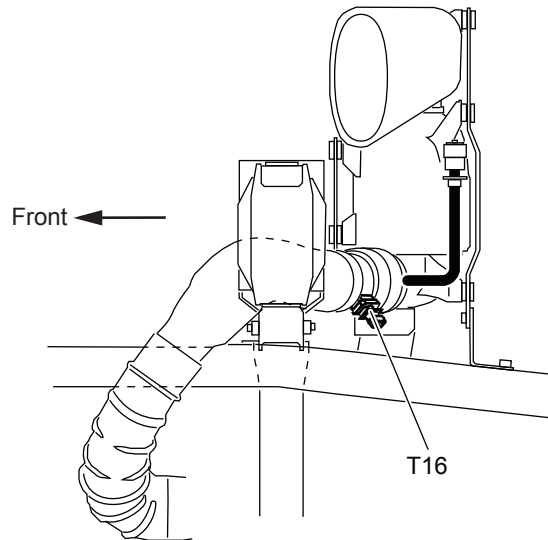
T SWITCH AND SENSOR

T16

(Sensor)



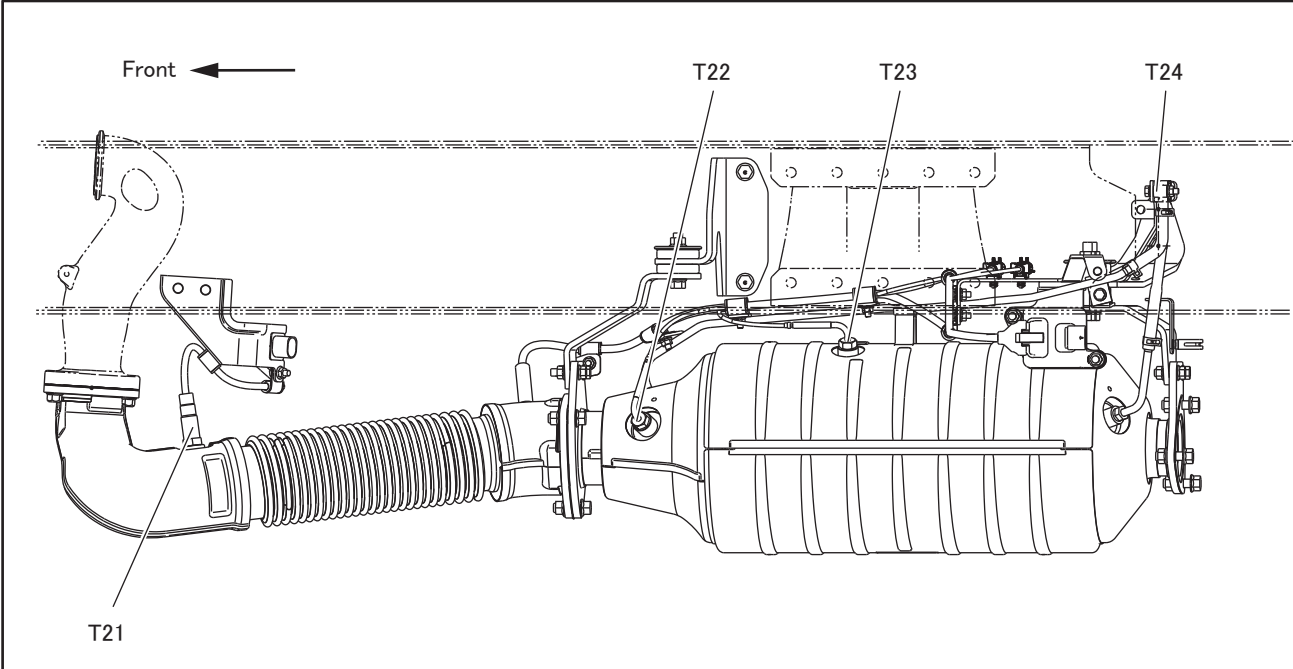
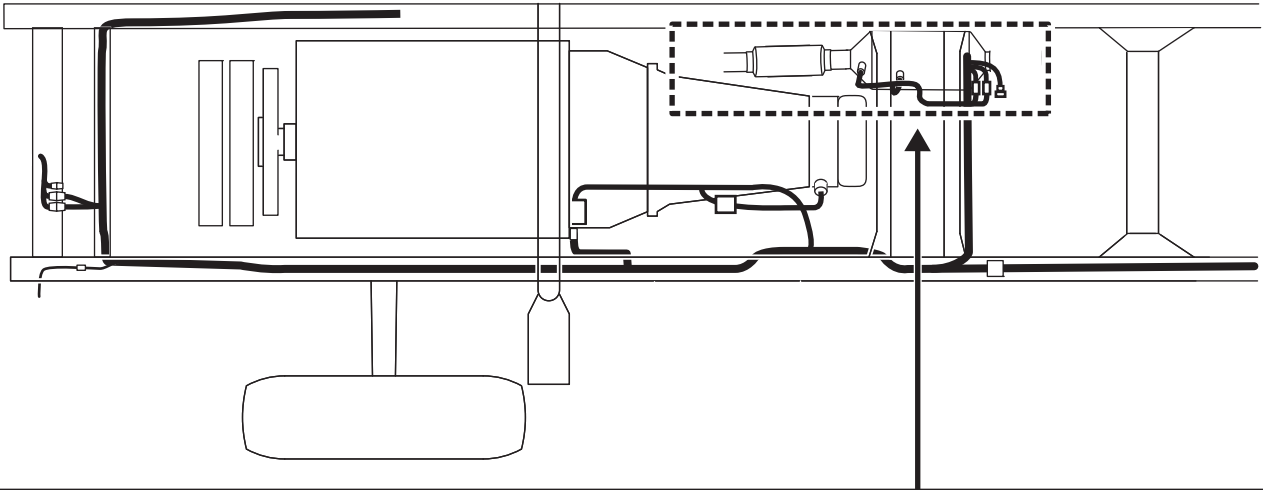
<FEB, FEC (Cab)>



T16 Air flow and intake air temperature sensor

T21 - 24

(Sensor)

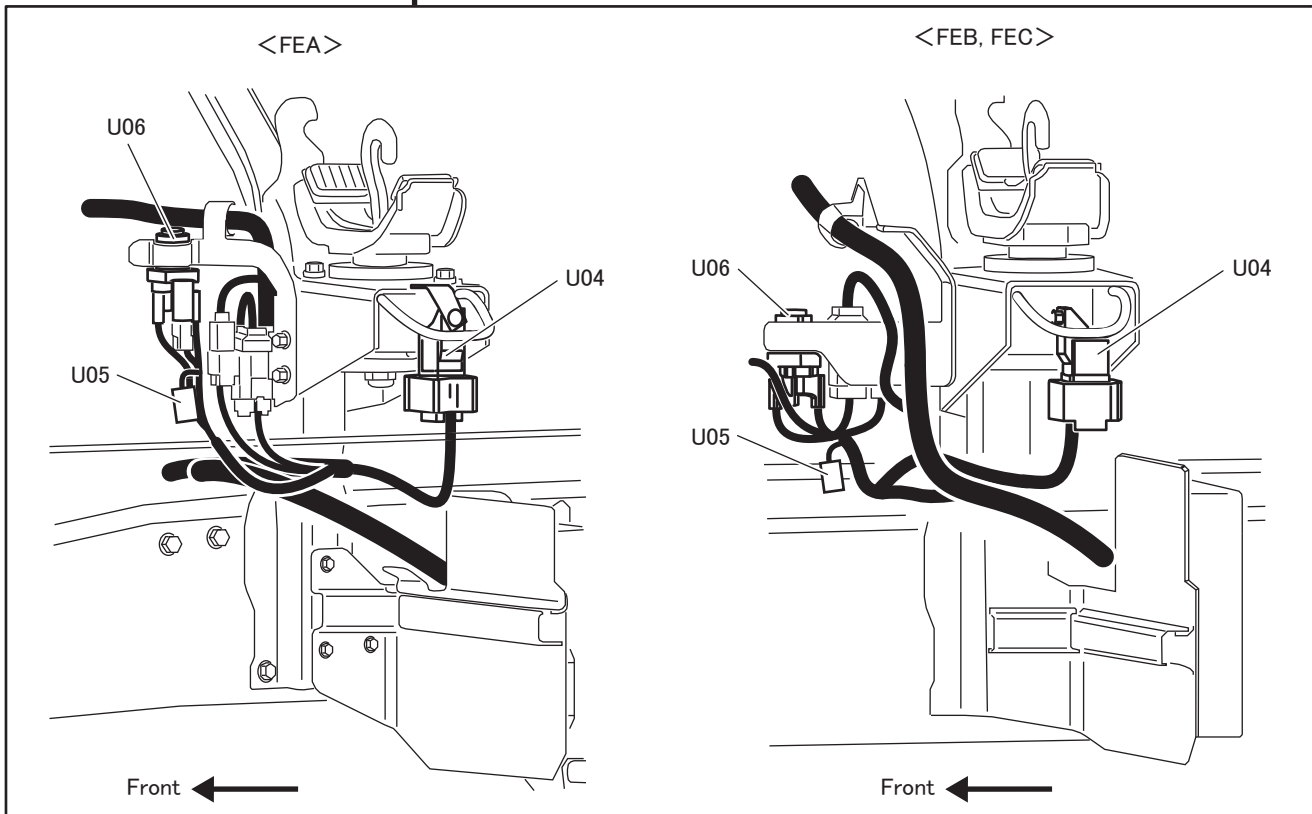
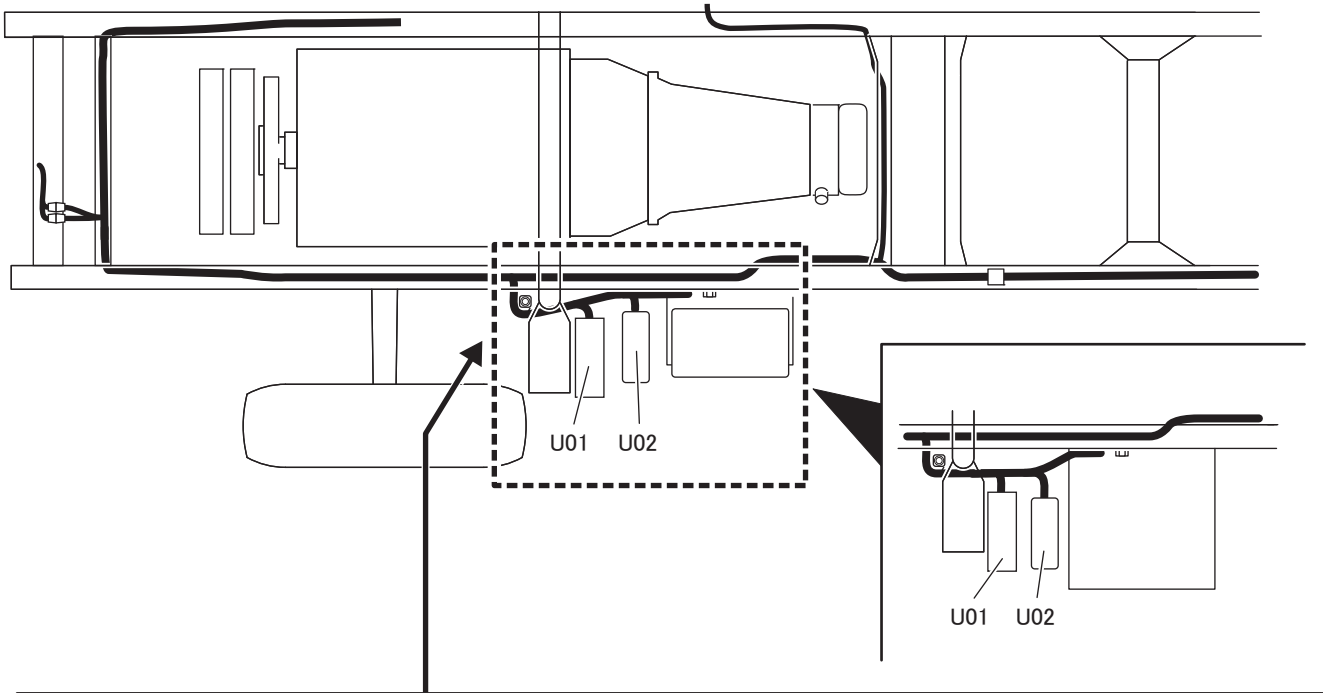


- T21 Lambda sensor
- T22 Exhaust gas temperature sensor 1
- T23 Exhaust gas temperature sensor 2
- T24 DPF differential pressure sensor

DPF : Diesel particulate filter

U FUSE, RELAY AND ELECTRONIC CONTROL UNIT

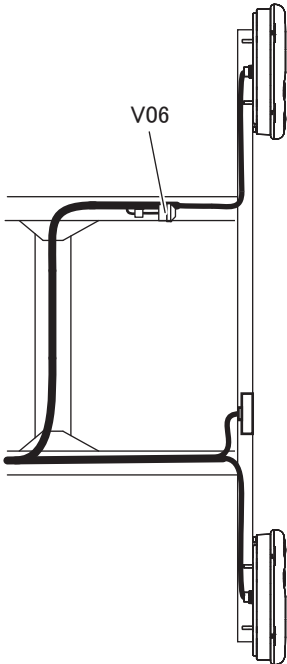
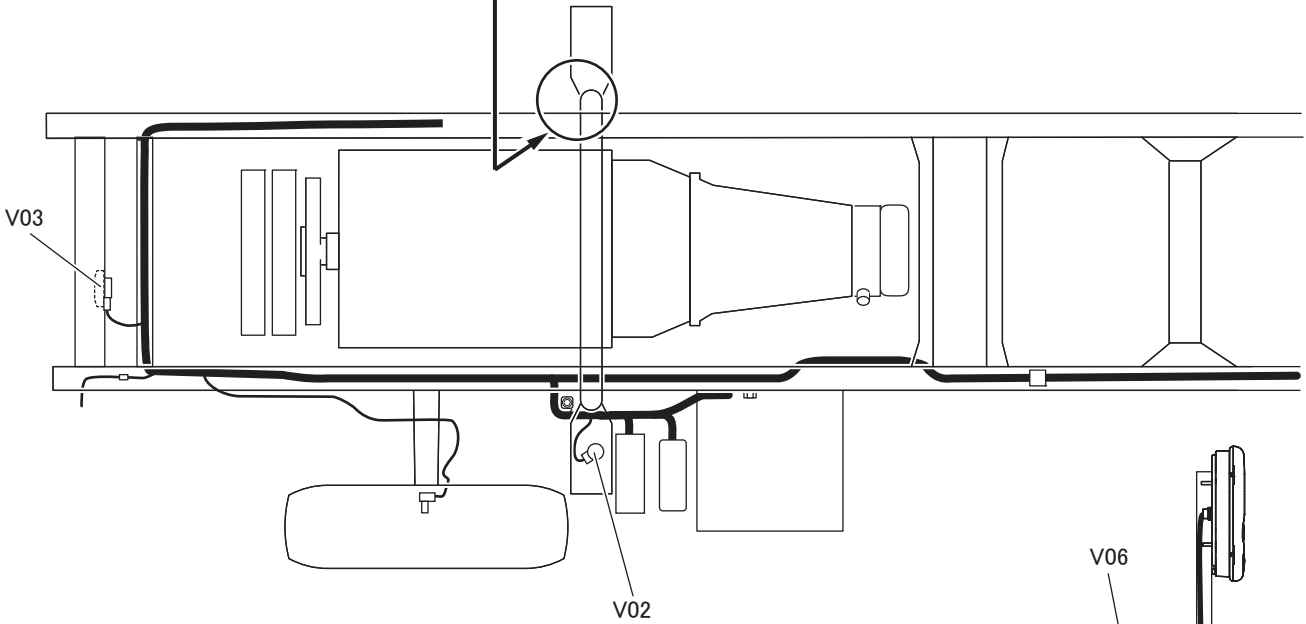
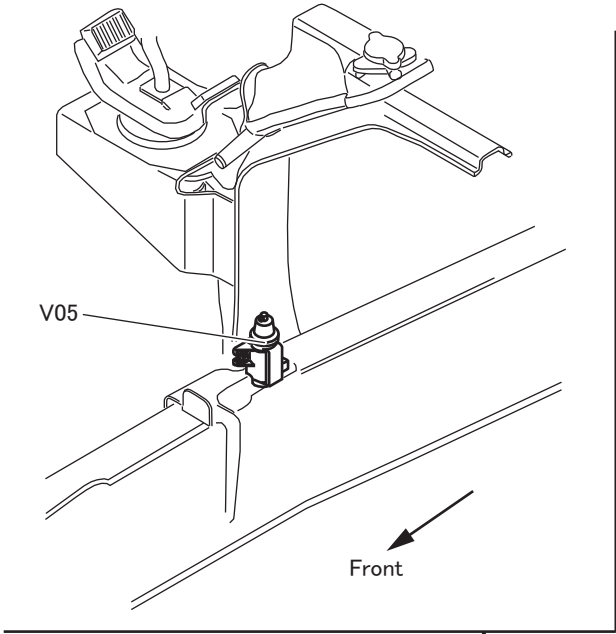
U01 - 06



- U01 Engine ECU
- U02 High-current fuse box
- U04 Glow ECU
- U05 Diode (for starter relay)
- U06 Starter relay

ECU : Electronic control unit

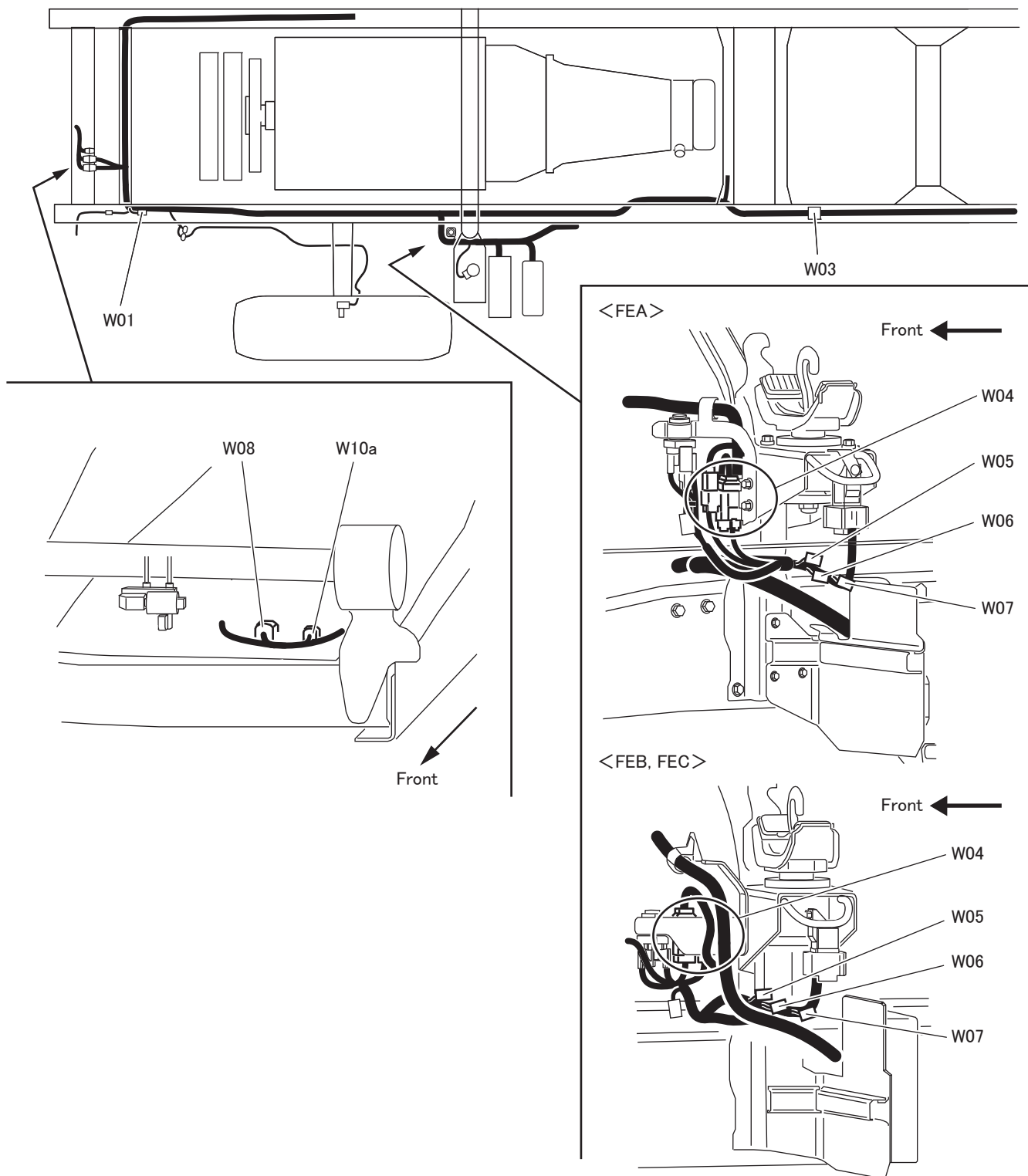
V02 - 06



- V02 Transmission power take-off 3-way magnetic valve
- V03 Electric horn
- V05 Vacuum modulator
- V06 Back buzzer

W JOINTS OF MAIN HARNESS CONNECTORS

W01 - 10

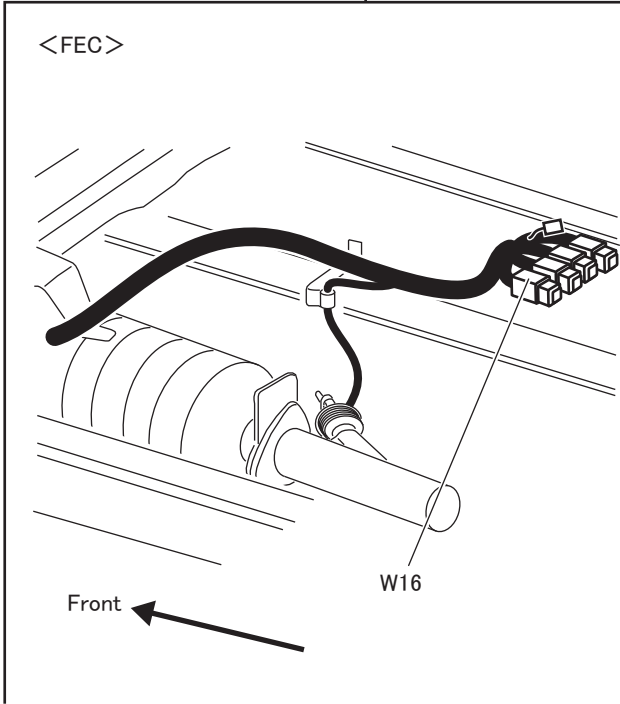
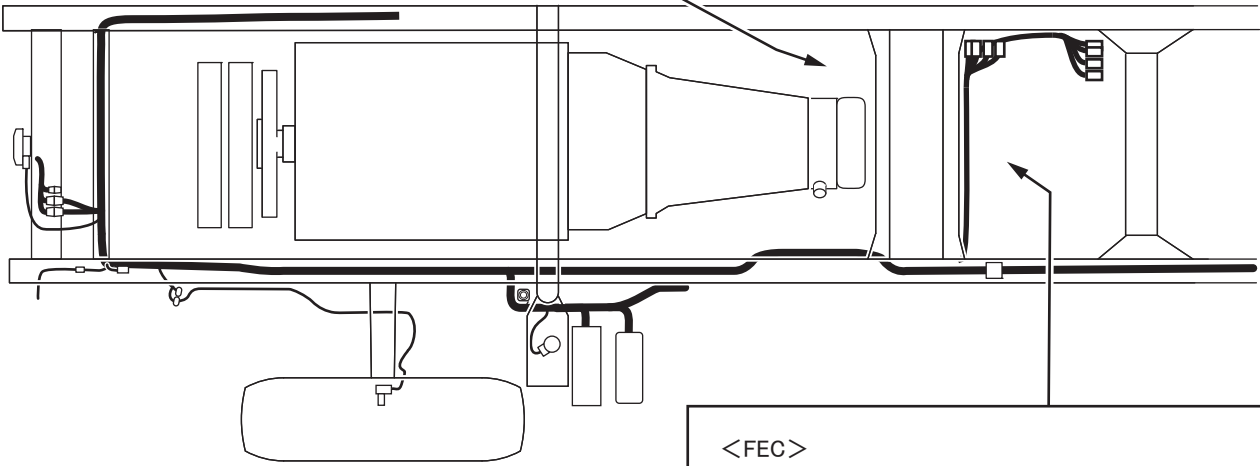
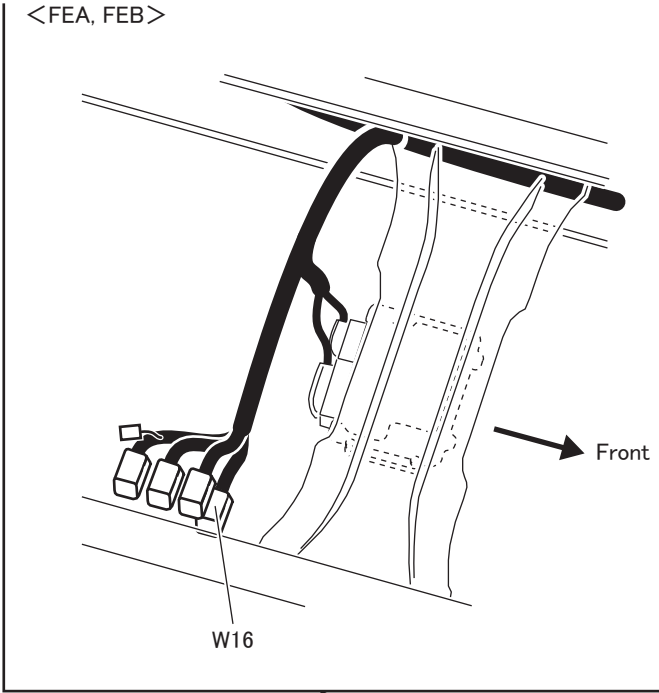


- W01 Joint connector (ABS : CAN)
- W03 Connection of chassis harness and rear chassis harness : [AB16A]
- W04 Connection of chassis harness and engine harness : [AB12A], [GA4A]
- W05 Connector (for PTO load sensor) : [CT3A]
- W06 Optional connector : [AB2A]
- W07 Optional connector : [AB6A]
- W08 Connection of cab harness and chassis harness : [AB16A]
- W10a Connection of cab harness and chassis harness : [AB4A]

ABS : Anti-lock brake system
 CAN : Controller area network
 PTO : Power take-off

Indicate by connector type [].

W16

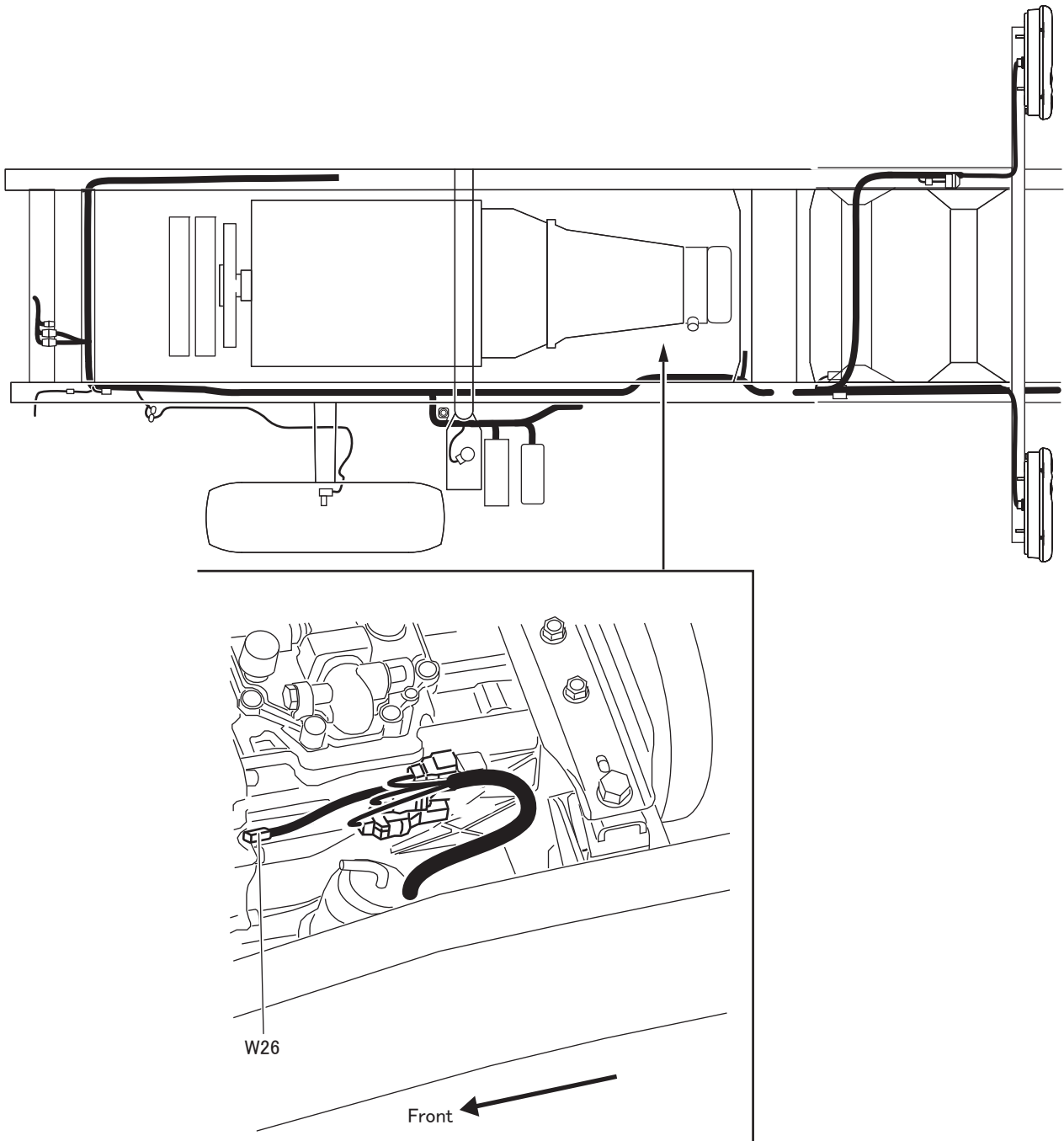


W16 Connection of chassis harness and fuel harness : [AB12A]

Indicate by connector type [].

W JOINTS OF MAIN HARNESS CONNECTORS

W26

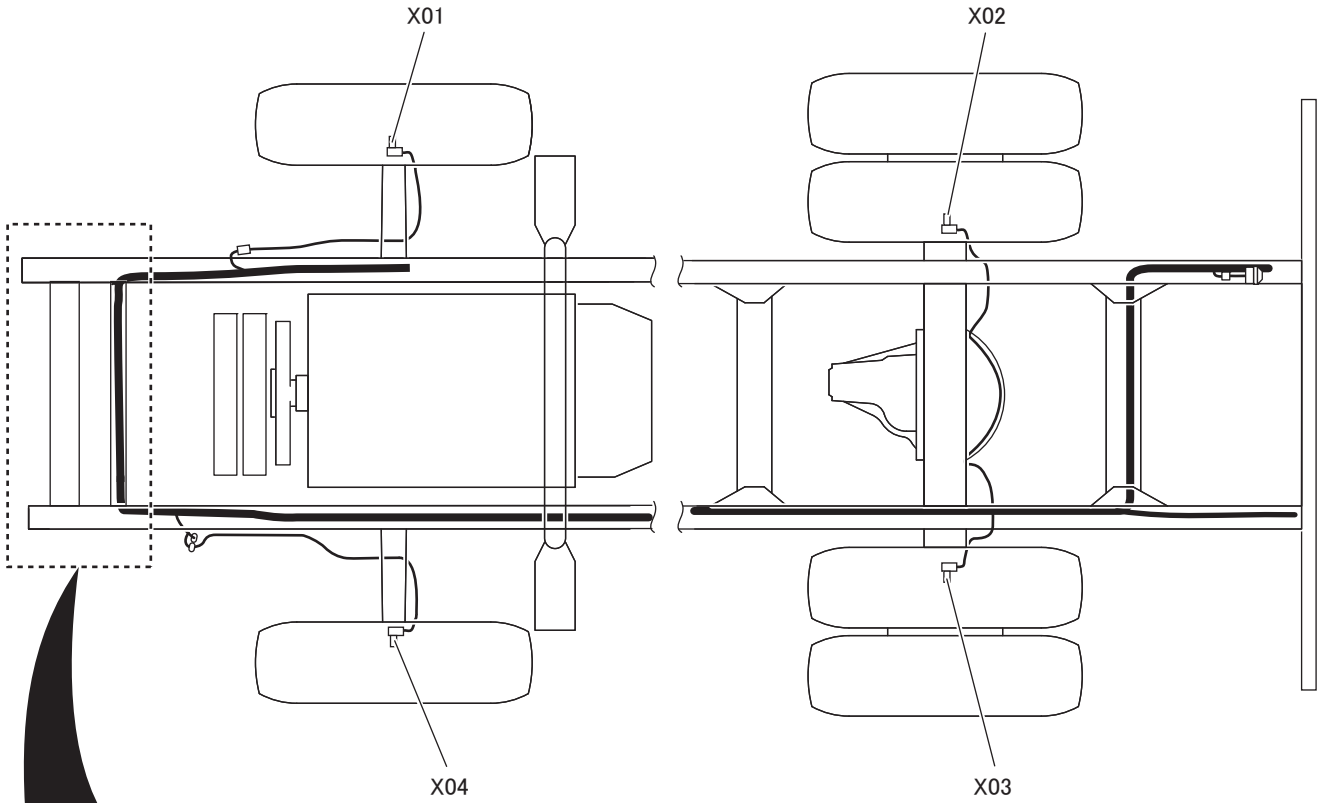


W26 Connection of chassis harness and starter harness : [AC1A]

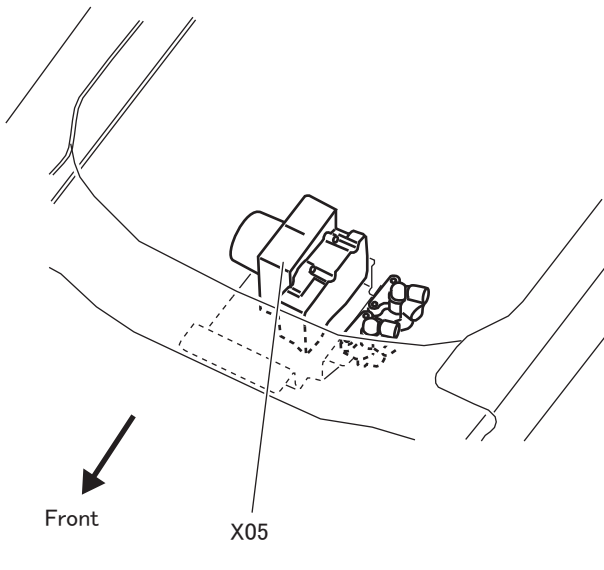
Indicate by connector type [].

X01 - 05

<ABS>



(Upper view)



- X01 Front wheel speed sensor, RH
- X02 Rear wheel speed sensor, RH
- X03 Rear wheel speed sensor, LH
- X04 Front wheel speed sensor, LH
- X05 Hydraulic unit

ABS : Anti-lock brake system

