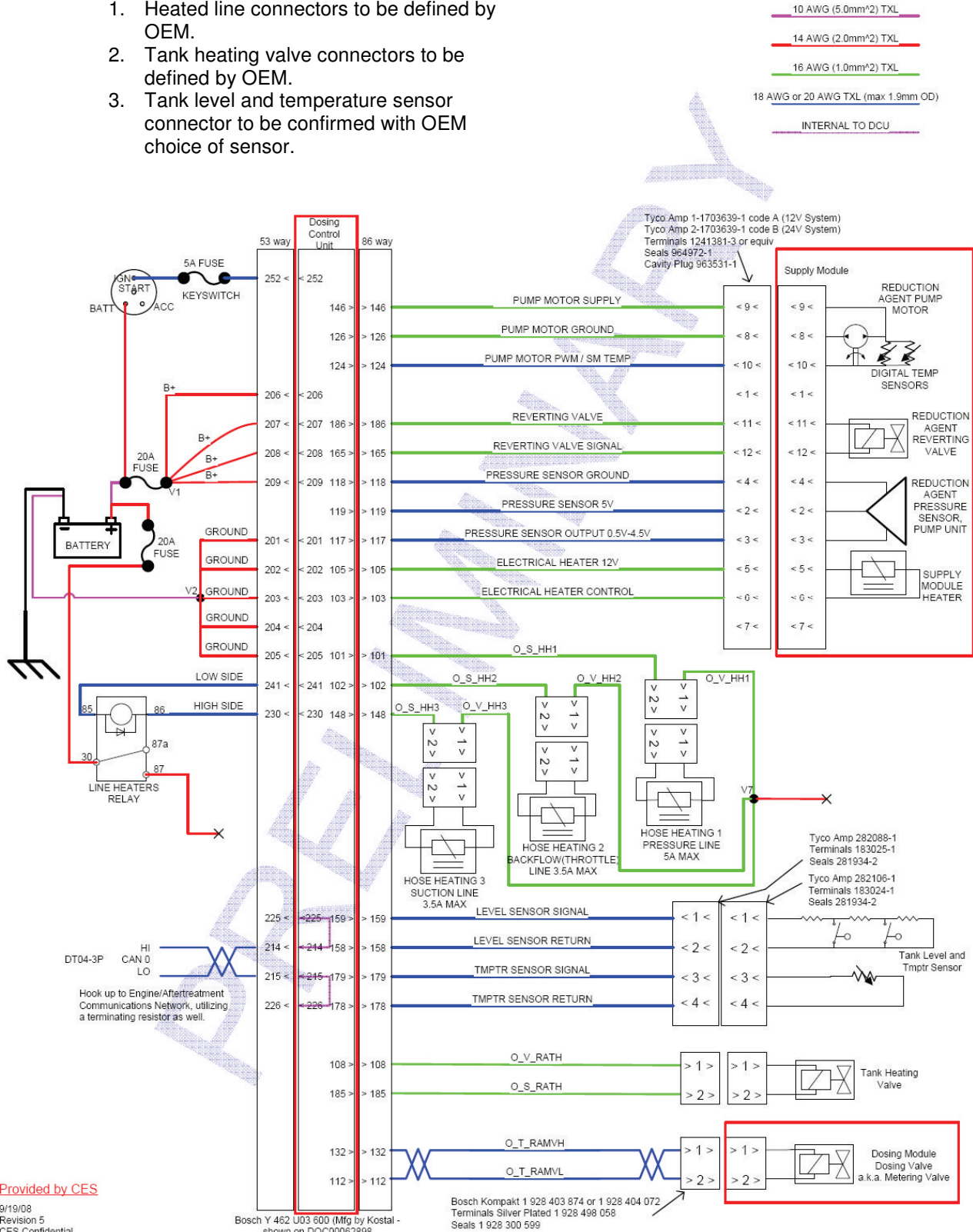


# Appendix

## Figure 4 – Electrical Schematic for Dosing System used in SCR system

### Notes:

1. Heated line connectors to be defined by OEM.
2. Tank heating valve connectors to be defined by OEM.
3. Tank level and temperature sensor connector to be confirmed with OEM choice of sensor.



Provided by CES

9/19/08  
 Revision 5  
 CES Confidential

Figure 5 – NOx Sensors Shown with Relay (Beta)

